

WAAS CH 58310 W30A	APP CRS 300°	Rwy ldg 4000 TDZE 42 Apt Elev 42
--	------------------------	---

RNAV (GPS) RWY 30

QUINHAGAK (AQH) (PAQH)

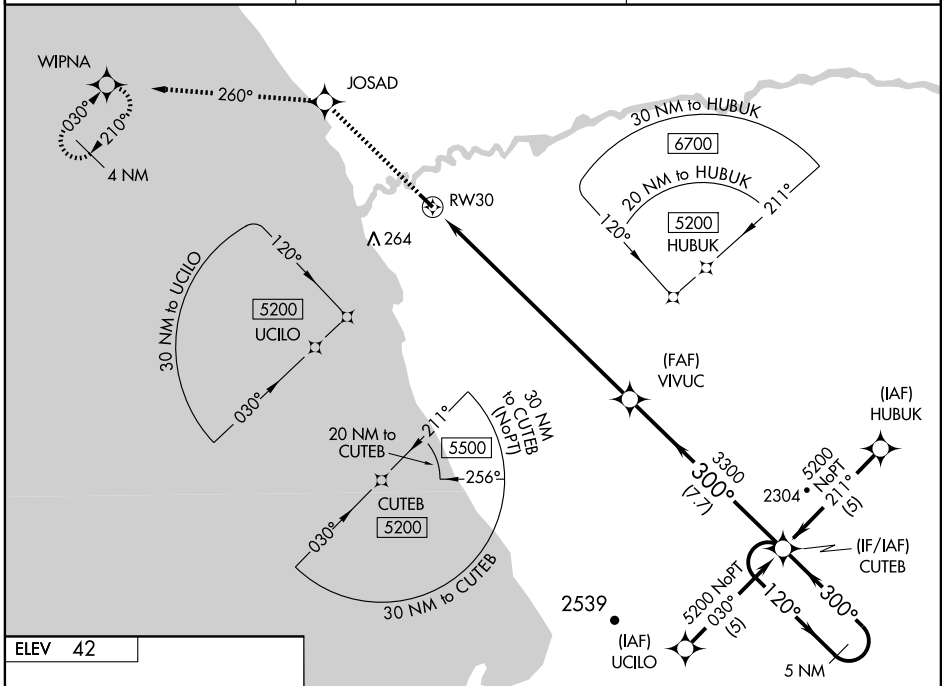
▼ Baro-VNAV NA.
▲ NA DME/DME RNP-0.3 NA.
W Use Platinum altimeter setting.

MISSED APPROACH: Climb to 2500 direct JOSAD and via 260° track to WIPNA and hold.

PLATINUM AWOS-3
118.375

BETHEL RADIO
122.1

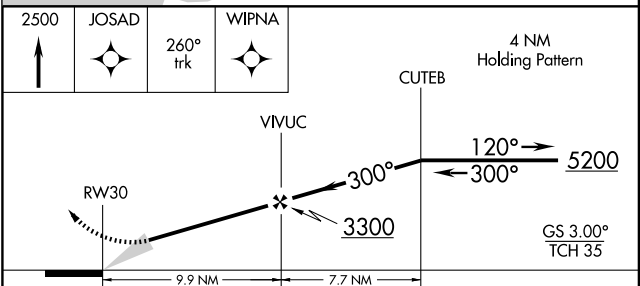
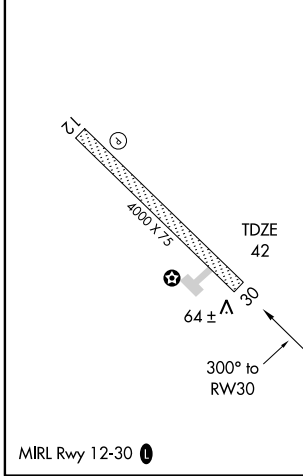
UNICOM
122.8 (CTAF) **0**



AK, 22 OCT 2009 to 17 DEC 2009

AK, 22 OCT 2009 to 17 DEC 2009

ELEV 42



CATEGORY	A	B	C	D
LPV DA	687-2¼ 645 (700-2¼)			
LNAV/VNAV DA	729-2½ 687 (700-2½)			
LNAV MDA	1100-1¼ 1058 (1100-1¼)	1100-1½ 1058 (1100-1½)	1100-3	1058 (1100-3)
CIRCLING	1100-1¼ 1058 (1100-1¼)	1100-1½ 1058 (1100-1½)	1100-3	1058 (1100-3)