

WILLMAR, MINNESOTA

AL-10310 (FAA)

VOR RWY 31

WILLMAR MUNI-JOHN L RICE FIELD (BDH)

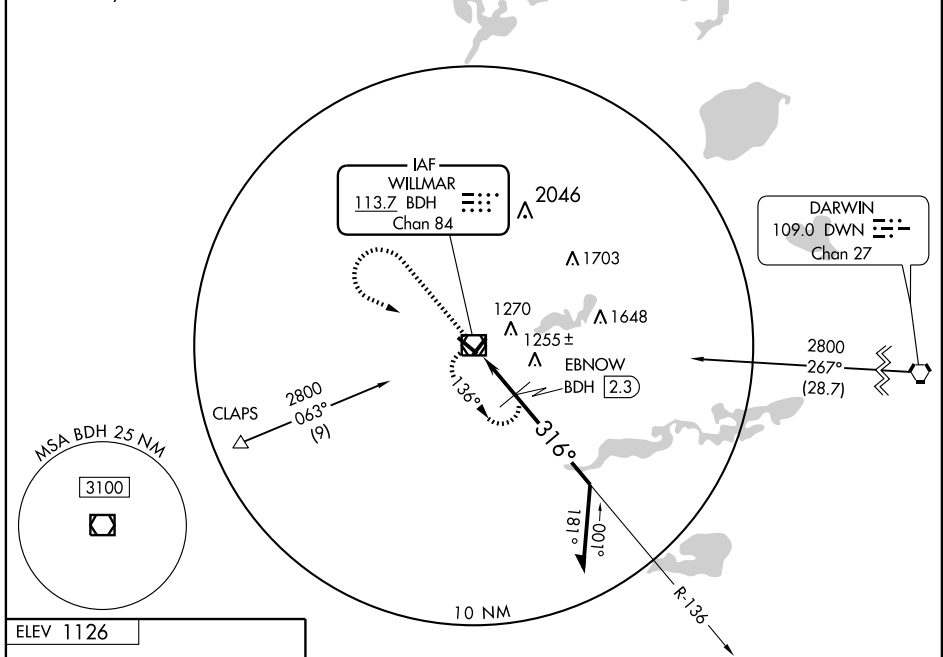
VOR/DME BDH 113.7 Chan 84	APP CRS 316°	Rwy Idg TDZE 1126 Apt Elev 1126	5500
---	------------------------	---	-------------

⚠ If local altimeter setting not received, use Olivia Rgnl altimeter setting and increase all MDAs 60 feet.
⚠ VDP NA with Olivia Rgnl altimeter setting.

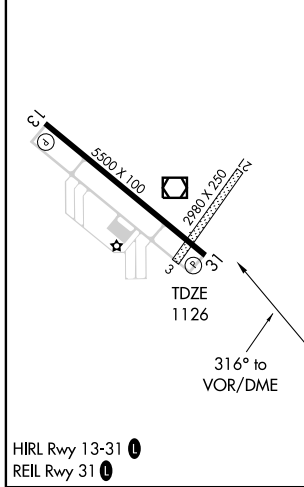
MISSED APPROACH: Climb to 2000, then climbing left turn to 2800 direct BDH VOR/DME and hold.

AWOS-3 113.7	MINNEAPOLIS CENTER 125.5 323.1	UNICOM 122.8 (CTAF) 0
------------------------	--	--

Maximum entry altitude 6000.



ELEV 1126



2000	2800	BDH 113.7	VOR/DME	Remain within 10 NM
*1860 when using Olivia Rgnl altimeter setting.				
EBNOW BDH 2.3				
BDH 1.4				
TCH 49				
1.1 NM				
0.9 NM				

CATEGORY	A	B	C	D
S-31	1800-1	674 (700-1)	1800-2 674 (700-2)	1800-2¼ 674 (700-2¼)
CIRCLING	1800-1	674 (700-1)	1800-2 674 (700-2)	1800-2¼ 674 (700-2¼)
EBNOW FIX MINIMUMS				
S-31		1520-1	394 (400-1)	1520-1¼ 394 (400-1¼)
CIRCLING	1520-1 394 (400-1)	1580-1 454 (500-1)	1580-1½ 454 (500-1½)	1680-2 554 (600-2)

WILLMAR, MINNESOTA
Orig 09239

45°07'N-95°08'W

WILLMAR MUNI-JOHN L RICE FIELD (BDH)
VOR RWY 31

NC-1, 22 OCT 2009 to 19 NOV 2009

NC-1, 22 OCT 2009 to 19 NOV 2009