

RNAV (GPS) RWY 21

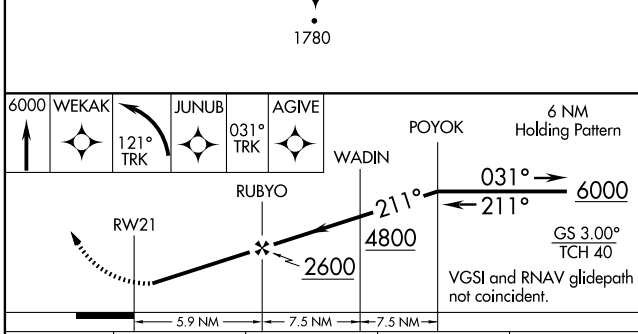
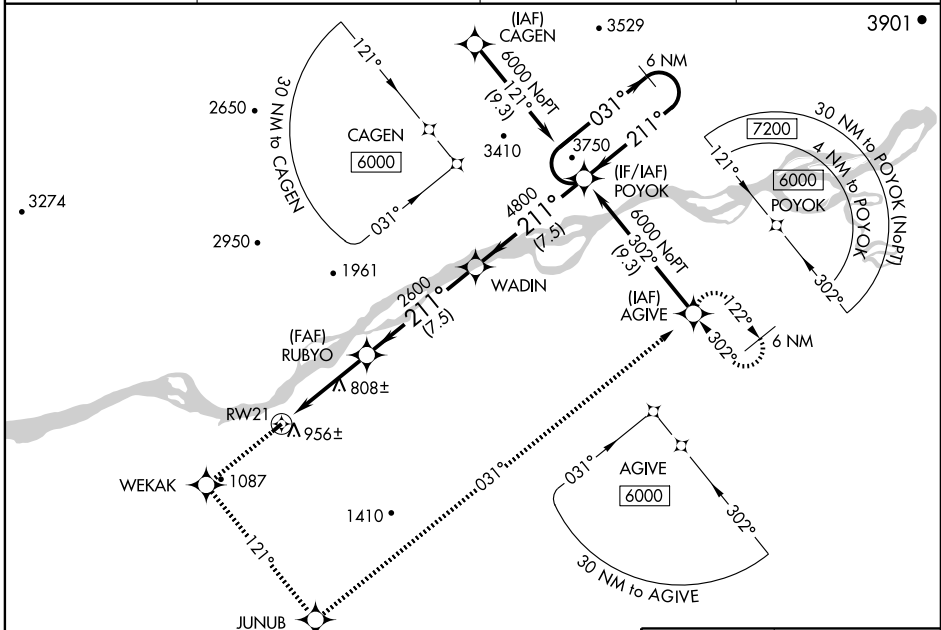
RUBY (RBY) (PARY)

WAAS CH 77807 W21A	APP CRS 211°	Rwy Idg TDZE Apt Elev	4000 658 658
--	------------------------	-----------------------------	---

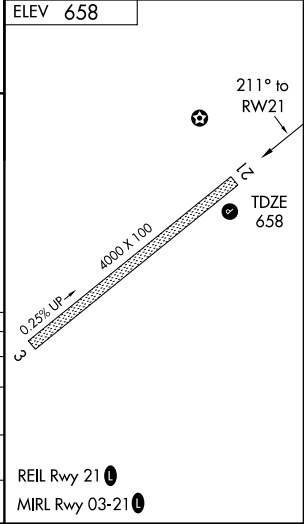
▼ Baro-VNAV NA when using Galena altimeter setting, DME/DME RNP-0.3 NA. For uncompensated Baro-VNAV systems, LNAV/VNAV NA below -16°C (4°F) or above 54°C (130°F). Visibility reduction by helicopters NA. When local altimeter setting not received, use Galena altimeter setting and increase all DA/MDA 340 feet; increase LPV visibility all Cats and LNAV Cat C 1¼ mile, LNAV/VNAV all Cats visibility 2 miles, LNAV Cats A/B and circling Cats A/B visibility ¼ mile, circling Cat C visibility 1 mile.

MISSED APPROACH: Climb to 6000 direct WEKAK and left turn via 121° track to JUNUB and via 031° track to AGIVE and hold.

ASOS 119.925	ANCHORAGE CENTER 127.0 290.2	RUBY RADIO 122.25	CTAF 122.8
------------------------	--	-----------------------------	----------------------



CATEGORY	A	B	C	D
LPV DA	919-1	261 (300-1)		NA
LNAV/VNAV DA	1199-2	541 (600-2)		NA
LNAV MDA	1220-1	562 (600-1)	1220-1½ 562 (600-1½)	NA
CIRCLING	1260-1	602 (700-1)	1260-1¾ 602 (700-1¾)	NA



AK, 22 OCT 2009 to 17 DEC 2009

AK, 22 OCT 2009 to 17 DEC 2009