

RNAV (GPS) RWY 30

KIVALINA (KVL)(PAVL)

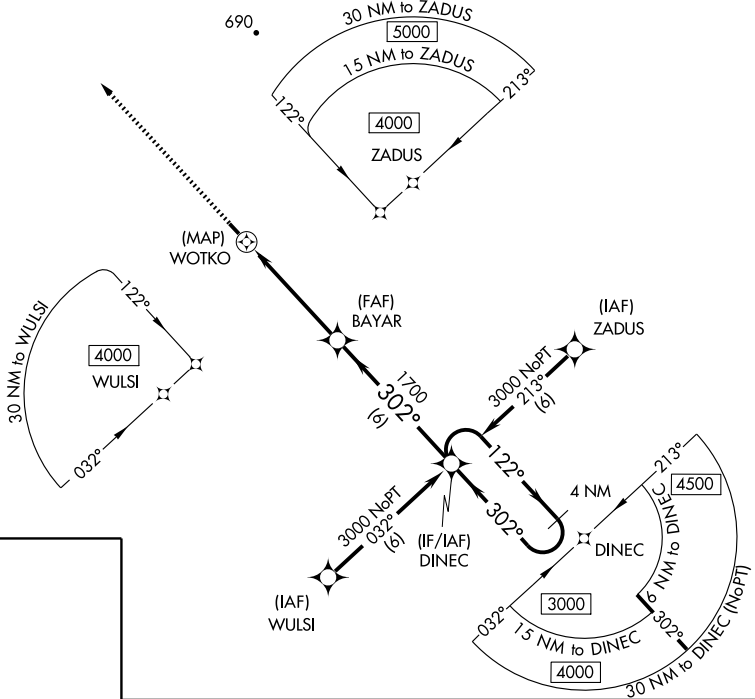
APP CRS 302°	Rwy Idg TDZE Apt Elev	3000 13 13
------------------------	-----------------------------	---------------------------------------

▲ DME/DME or RNP-0.3 NA. When local altimeter setting not received, use Noatak altimeter setting and increase all MDA 340 feet and LNAV Cat C visibility 1 mile and circling Cat C visibility ¾ mile. VDP NA when using Noatak altimeter setting.

MISSED APPROACH: Climb to 3000 direct CALGA and hold.

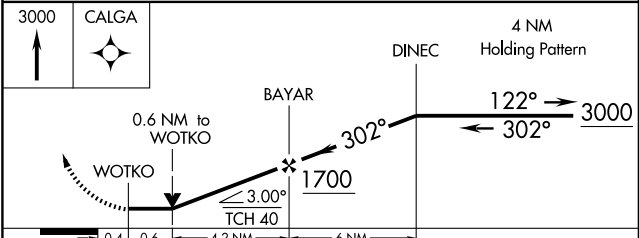
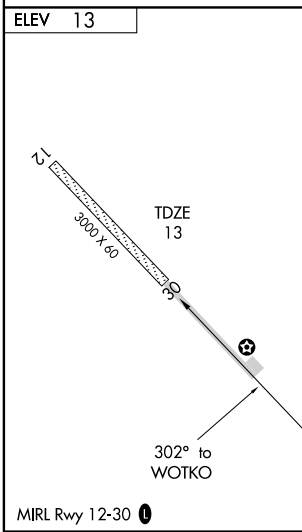
ASOS 135.8	NOATAK AWOS-3 135.75	ANCHORAGE CENTER 119.2 263.0	KOTZEBUE RADIO 122.55	UNICOM 122.8 (CTAF) 1
----------------------	--------------------------------	--	---------------------------------	--

• 1456



AK, 22 OCT 2009 to 17 DEC 2009

AK, 22 OCT 2009 to 17 DEC 2009



CATEGORY	A	B	C	D
LNAV MDA	380-1 367 (400-1)			NA
CIRCLING	380-1 367 (400-1)	480-1 467 (500-1)	480-1½ 467 (500-1½)	NA