

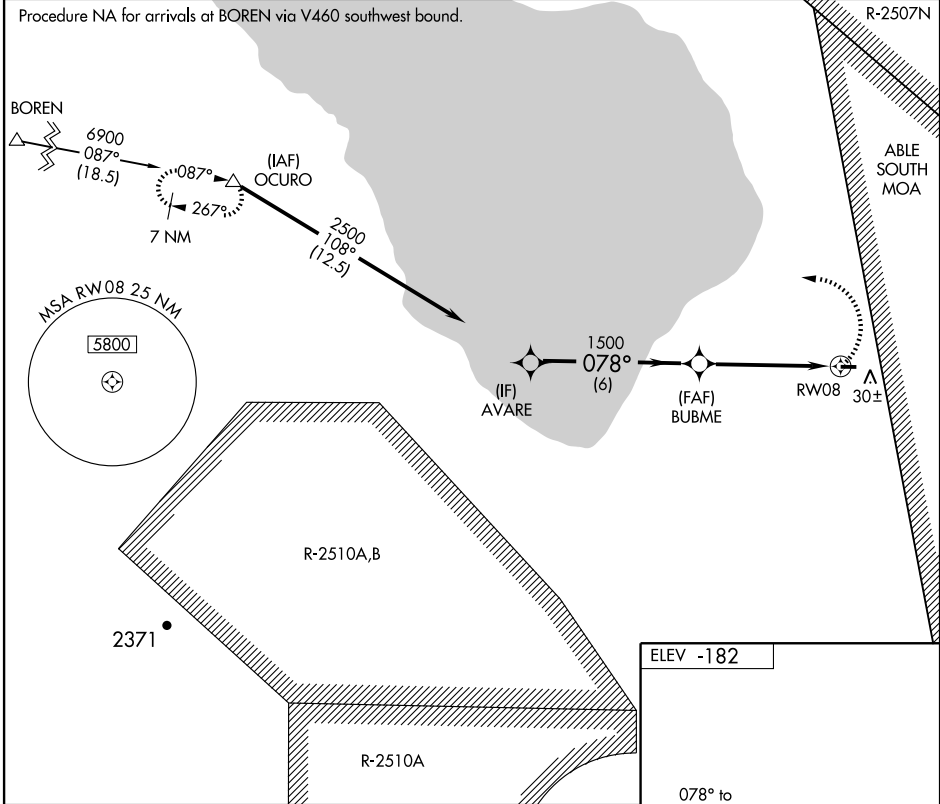
RNAV (GPS) RWY 8
CALIPATRIA/CLIFF HATFIELD MEMORIAL (CLR)

APP CRS 078°	Rwy Idg TDZE Apt Elev	3303 -182 -182
------------------------	-----------------------------	---

▼ DME/DME RNP-0.3 NA. Procedure NA at night.
Visibility reduction by helicopters NA.
▲ NA Use Imperial altimeter setting, when not received, procedure NA.

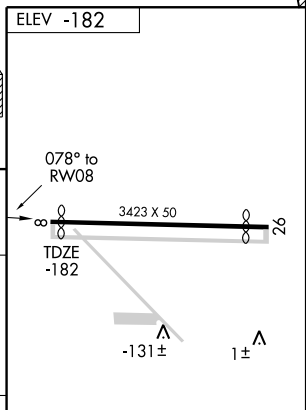
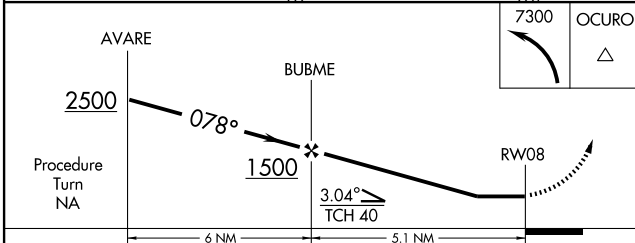
MISSED APPROACH: Climbing left turn to 7300 direct OCURO and hold, continue climb-in-hold to 7300.

IMPERIAL ASOS 132.175	LOS ANGELES CENTER 128.6 291.7	CTAF 122.9
---------------------------------	--	----------------------



SW-3, 22 OCT 2009 to 19 NOV 2009

SW-3, 22 OCT 2009 to 19 NOV 2009



CATEGORY	A	B	C	D
RNAV MDA	300-1	482 (500-1)	300-1¼ 482 (500-1¼)	NA
CIRCLING	440-1	622 (700-1)	440-1¼ 622 (700-1¼)	NA