

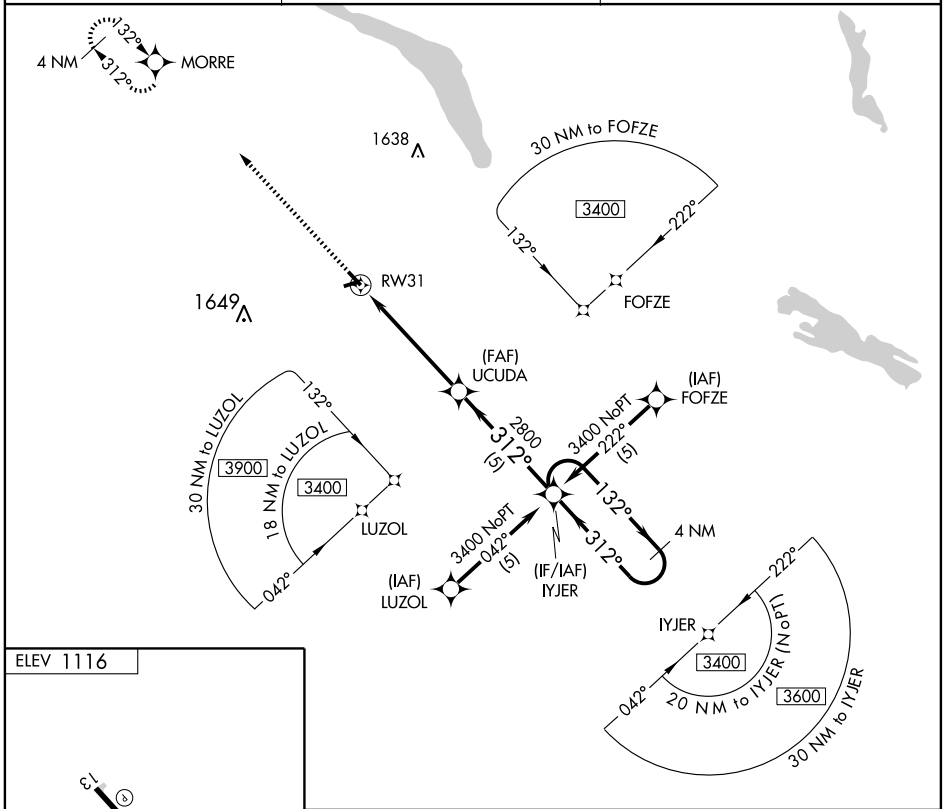
RNAV (GPS) RWY 31

MILBANK MUNI (1D1)

APP CRS	Rwy Idg	4000
312°	TDZE	1114
	Apt Elev	1116

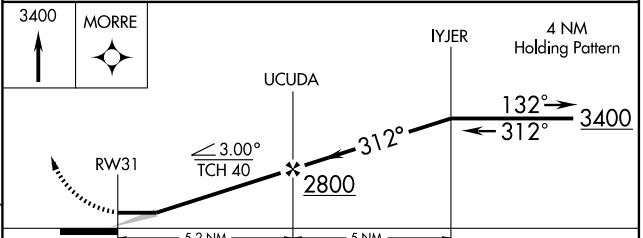
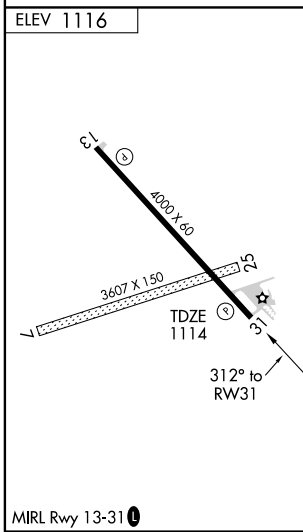
▼ Use Watertown Muni, SD altimeter setting.
▲ NA GPS or RNP-0.3 required. DME/DME RNP-0.3 NA. MISSED APPROACH: Climb to 3400 direct MORRE WP and hold.

AWOS-3 122.8	MINNEAPOLIS CENTER 128.5 306.2	UNICOM 122.8 (CTAF) 0
------------------------	--	--



NC-1, 22 OCT 2009 to 19 NOV 2009

NC-1, 22 OCT 2009 to 19 NOV 2009



CATEGORY	A	B	C	D
LNAV MDA	1720-1	606 (700-1)	NA	
CIRCLING	1720-1	604 (700-1)	NA	