

RANTOUL, ILLINOIS

AL-9195 (FAA)

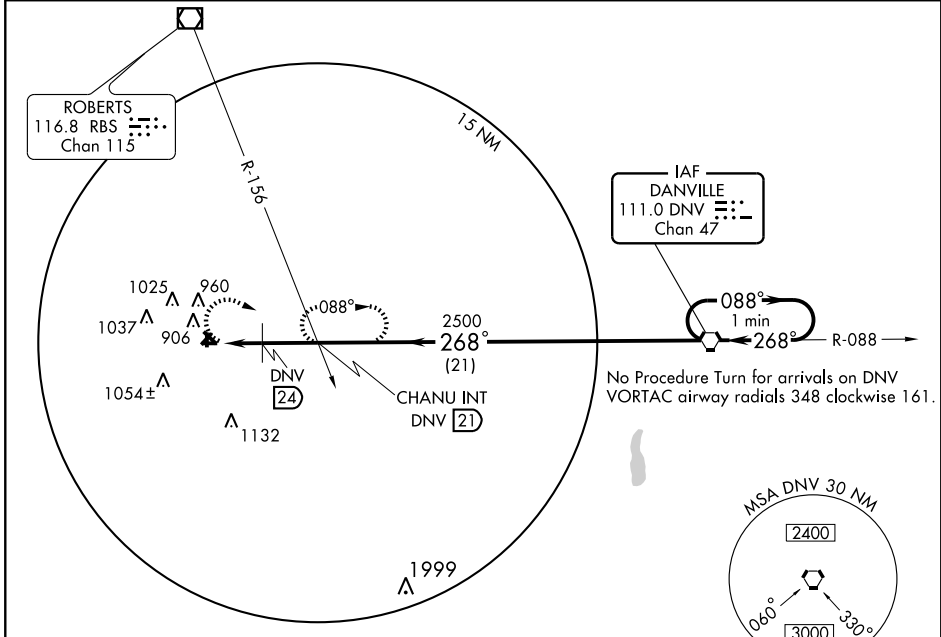
VORTAC DNV 111.0 Chan 47	APP CRS 268°	Rwy ldg TDZE 733 Apt Elev 737	5000 733 737
---------------------------------------	------------------------	--	---

VOR RWY 27

RANTOUL NATL AVN CNTR-FRANK ELLIOTT FIELD (TIP)

MISSED APPROACH: Climbing right turn to 2500 via DNV R-268 to CHANU Int and hold.

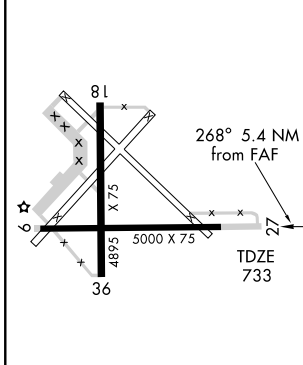
AWOS-3 119.025	CHAMPAIGN APP CON ★ 121.35 285.65	UNICOM 123.0 (CTAF) 0
--------------------------	---	---------------------------------



EC-3, 22 OCT 2009 to 19 NOV 2009

EC-3, 22 OCT 2009 to 19 NOV 2009

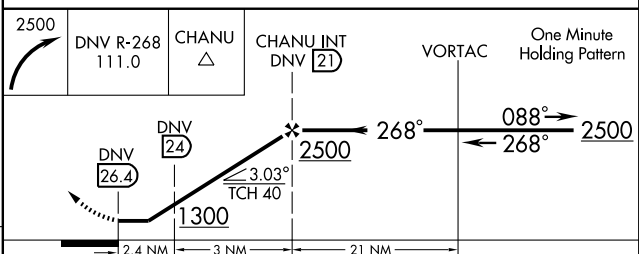
ELEV 737



REIL Rwy 9 and 27
MIRL Rwy 9-27 and 18-36 0

FAF to MAP 5.4 NM

Knots	60	90	120	150	180
Min:Sec	5:24	3:36	2:42	2:10	1:48



CATEGORY	A	B	C	D
S-27	1300-1 567 (600-1)		1300-1½ 567 (600-1½)	1300-1¾ 567 (600-1¾)
CIRCLING	1300-1 563 (600-1)		1320-1½ 583 (600-1½)	1320-2 583 (600-2)
DME MINIMUMS				
S-27	1160-1 427 (500-1)		1160-1¼ 427 (500-1¼)	1160-1½ 427 (500-1½)
CIRCLING	1220-1 483 (500-1)	1260-1 523 (600-1)	1320-1½ 583 (600-1½)	1320-2 583 (600-2)

RANTOUL, ILLINOIS
Amdt 1 08101

RANTOUL NATL AVN CNTR-FRANK ELLIOTT FIELD (TIP)
40° 18' N - 88° 09' W

VOR RWY 27