

# RNAV (GPS) RWY 36

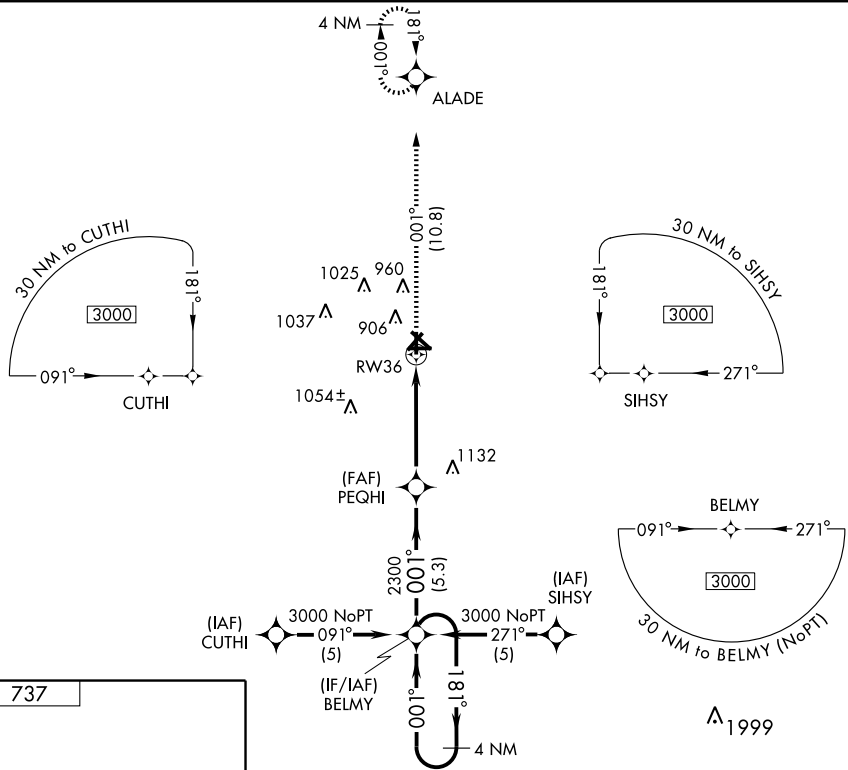
RANTOUL NATL AVN CNTR-FRANK ELLIOTT FIELD (TIP)

APP CRS <b>001°</b>	Rwy Idg <b>4895</b>
	TDZE <b>737</b>
	Apt Elev <b>737</b>

**▽** GPS or RNP-0.3 Required. DME/DME RNP-0.3 NA. **MISSED APPROACH:** Climb to 3000 via 001° course to ALADE WP and hold.

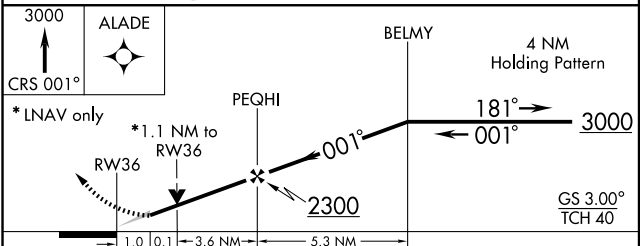
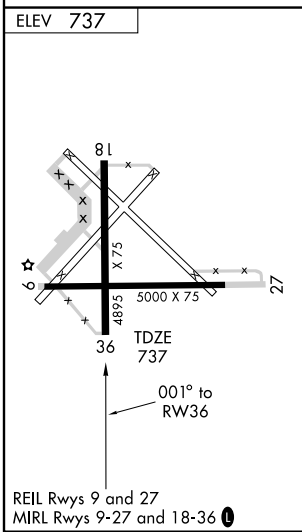
**▲** NA

AWOS-3 <b>119,025</b>	CHAMPAIGN APP CON * <b>121,35 285,65</b>	UNICOM <b>123.0 (CTAF) ①</b>
--------------------------	---	---------------------------------



EC-3, 22 OCT 2009 to 19 NOV 2009

EC-3, 22 OCT 2009 to 19 NOV 2009



CATEGORY	A	B	C	D
GLS PA DA	NA			
LNAV/VNAV DA	1100-1¼ 363 (400-1¼)			
LNAV MDA	1120-1 383 (400-1)			1120-1¼ 383 (400-1¼)
CIRCLING	1220-1¼ 483 (500-1¼)	1260-1¼ 523 (600-1¼)	1320-1½ 583 (600-1½)	1320-2 583 (600-2)

# RNAV (GPS) RWY 36