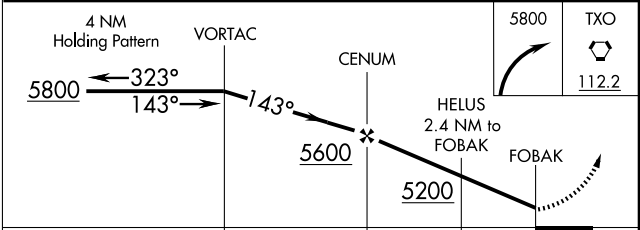
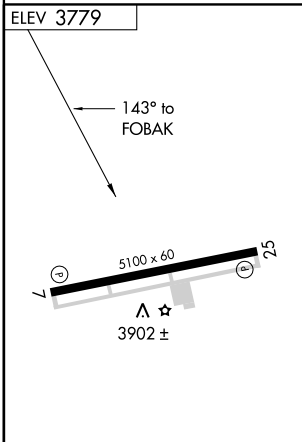
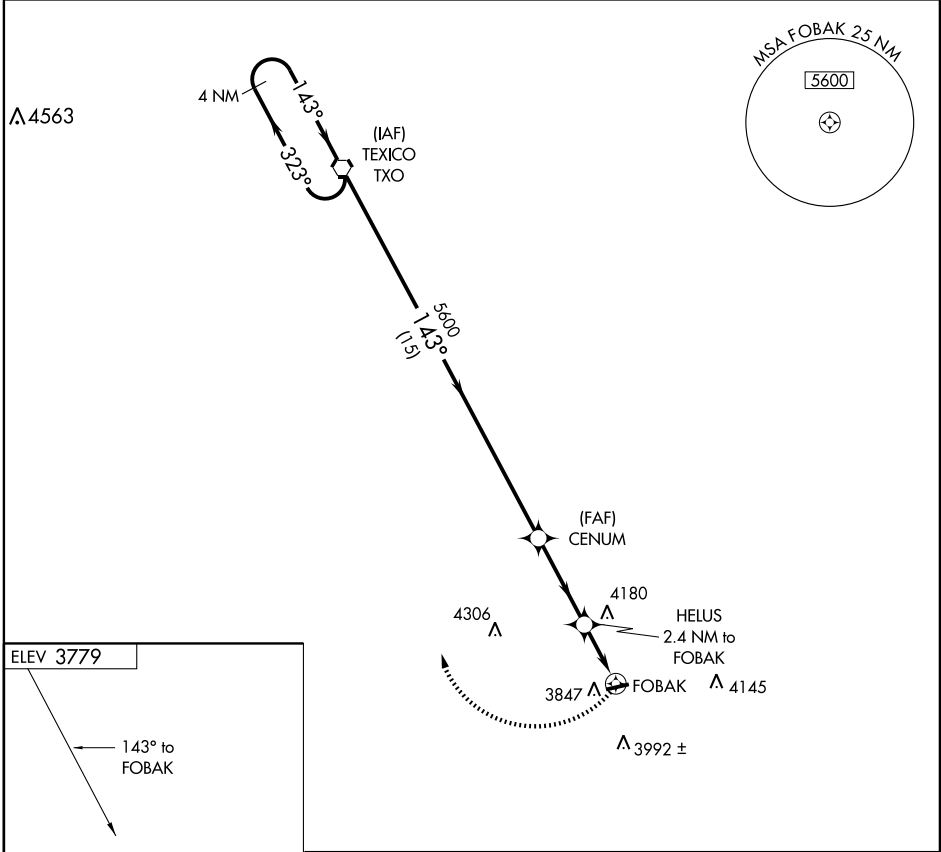


RNAV (GPS)-B
MULESHOE MUNI (2T1)

APP CRS 143°	Rwy Idg TDZE Apt Elev	N/A N/A 3779
------------------------	-----------------------------	---

▲ NA Use Clovis Municipal altimeter setting; if not received, procedure not authorized. MISSED APPROACH: Climbing right turn to 5800 direct TXO VORTAC and hold.

CLOVIS MUNI AWOS-3 135.375	FORT WORTH CENTER 126.45 316.1	CTAF 122.9	122.8 0
--------------------------------------	--	-------------------	-----------------------



CATEGORY	A	B	C	D
CIRCLING	4360-1 581 (600-1)	4380-1 601 (700-1)	4380-1 ^{3/4} 601 (700-1 ^{3/4})	NA

SC-2, 22 OCT 2009 to 19 NOV 2009

SC-2, 22 OCT 2009 to 19 NOV 2009