

QUINTON, VIRGINIA

VORTAC HPW <b>112.0</b> Chan <b>57</b>	APP CRS <b>003°</b>	Rwy Idg TDZE Apt Elev	<b>N/A</b> <b>N/A</b> <b>123</b>
--	------------------------	-----------------------------	--

AL-6855 (FAA)

**VOR-A**  
QUINTON / NEW KENT COUNTY (W96)

**▽** Use Richmond altimeter setting.  
**▲** NA

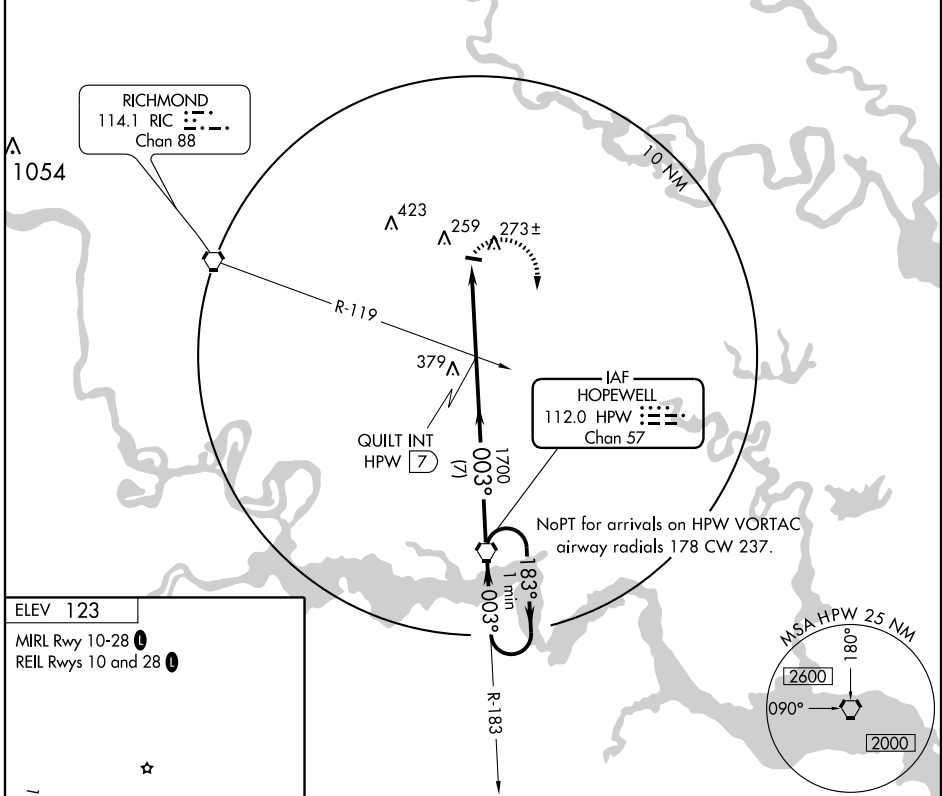
MISSED APPROACH: Climbing right turn to 2000 direct HPW VORTAC and hold.

POTOMAC APP CON  
**126.4 282.375**

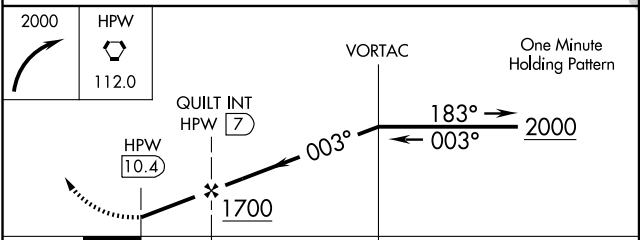
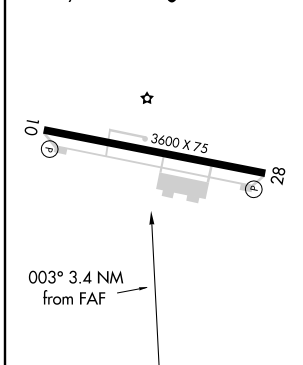
GCO  
**135.075**

UNICOM  
**122.8 (CTAF) 0**

**RADAR REQUIRED**



ELEV <b>123</b>
MIRL Rwy 10-28 <b>0</b>
REIL Rwys 10 and 28 <b>0</b>



FAF to MAP 3.4 NM					
Knots	60	90	120	150	180
Min:Sec	3:24	2:16	1:42	1:22	1:08

CATEGORY	A	B	C	D
CIRCLING	660-1	537 (600-1)	660-1½ 537 (600-1½)	NA

QUINTON, VIRGINIA  
Amdt 1B 08241

37°30'N - 77°08'W

QUINTON / NEW KENT COUNTY (W96)  
**VOR-A**

NE-3, 22 OCT 2009 to 19 NOV 2009

NE-3, 22 OCT 2009 to 19 NOV 2009