

TOGIAK VILLAGE, ALASKA

AL-6819 (FAA)

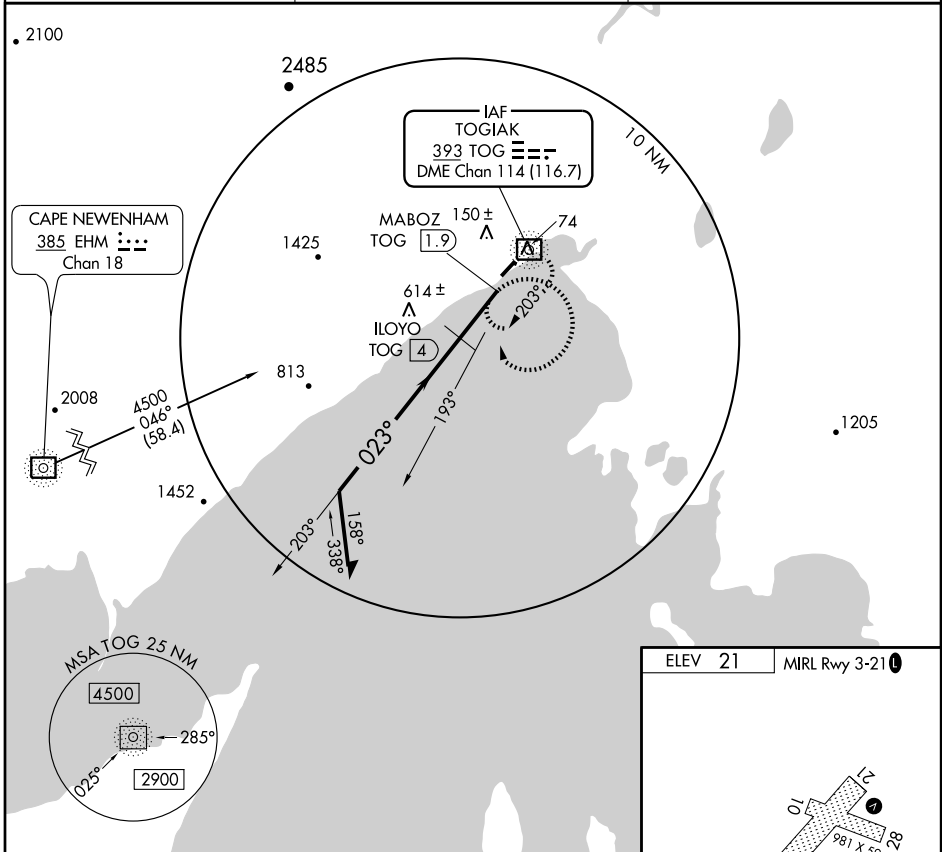
NDB/DME-A
TOGIAK (TOG)(PATG)

NDB/DME TOG 393	APP CRS 023°	Rwy Idg TDZE Apt Elev	N/A N/A 21
Chan 114 (116.7)			

⚠ Circling NA for Cat D NW of runway 3-21.

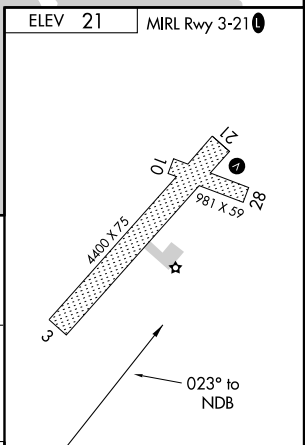
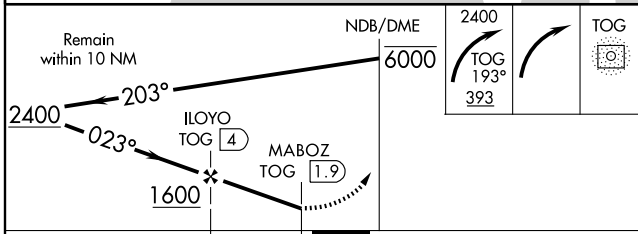
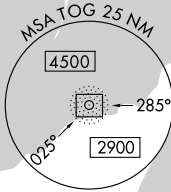
MISSED APPROACH: Climbing right turn via 193° bearing from TOG NDB/DME to 2400, then right turn direct TOG NDB/DME and hold.

AWOS-3 119.3	ANCHORAGE CENTER 132.75 282.35	CTAF 122.5
------------------------	--	----------------------



AK, 22 OCT 2009 to 17 DEC 2009

AK, 22 OCT 2009 to 17 DEC 2009



CATEGORY	A	B	C	D	ELEV 21	MIRL Rwy 3-21
CIRCLING	680-1	659 (700-1)	680-1¼ 659 (700-1¼)	680-2 659 (700-2)		
					Knots	60 90 120 150 180
					Min:Sec	

TOGIAK VILLAGE, ALASKA
Amdt 1 08045

59° 03'N-160° 24'W

TOGIAK (TOG)(PATG)
NDB/DME-A