

TOGIAK VILLAGE, ALASKA

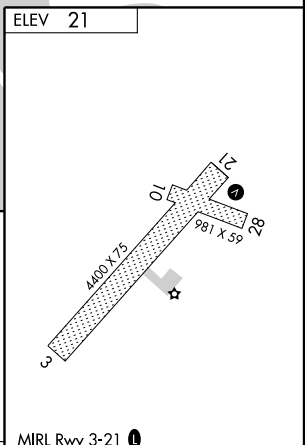
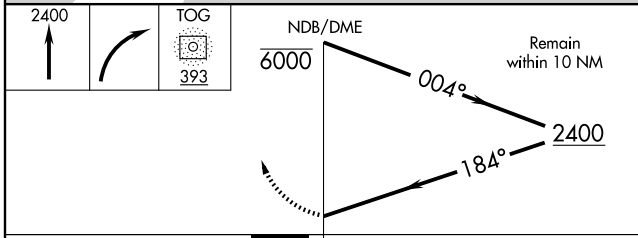
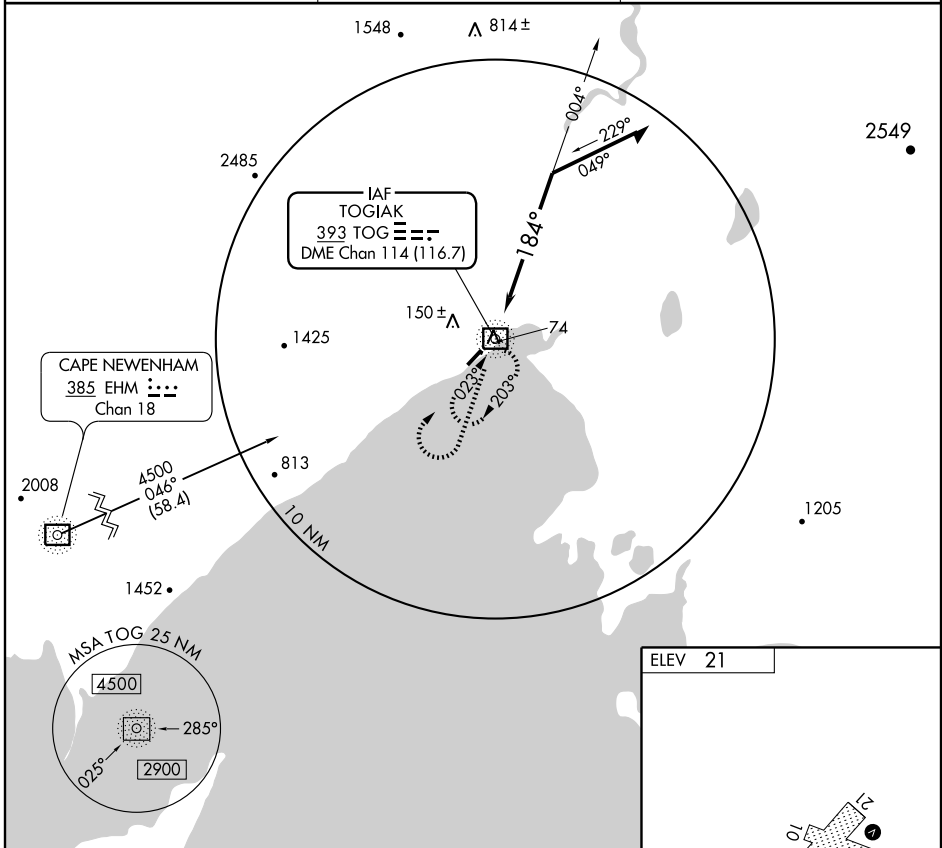
AL-6819 (FAA)

NDB-B
TOGIAK(TOG)(PATG)

NDB/DME TOG 393	APP CRS 184°	Rwy Idg TDZE Apt Elev	N/A N/A 21
Chan 114 (116.7)			

▼ Circling NA for Cat D NW of runway 3-21.
▲ MISSED APPROACH: Climb to 2400 then right turn direct TOG NDB/DME and hold.

AWOS-3 119.3	ANCHORAGE CENTER 132.75 282.35	CTAF 122.5
------------------------	--	----------------------



CATEGORY	A	B	C	D	Knots	60	90	120	150	180
CIRCLING	900-1 879 (900-1)	900-1¼ 879 (900-1¼)	900-2½ 879 (900-2½)	900-2¾ 879 (900-2¾)	Min:Sec					

TOGIAK VILLAGE, ALASKA
Amdt 1 07354

59° 03'N-160° 24'W

TOGIAK(TOG)(PATG)
NDB-B

AK, 22 OCT 2009 to 17 DEC 2009

AK, 22 OCT 2009 to 17 DEC 2009