

RNAV (GPS) RWY 34

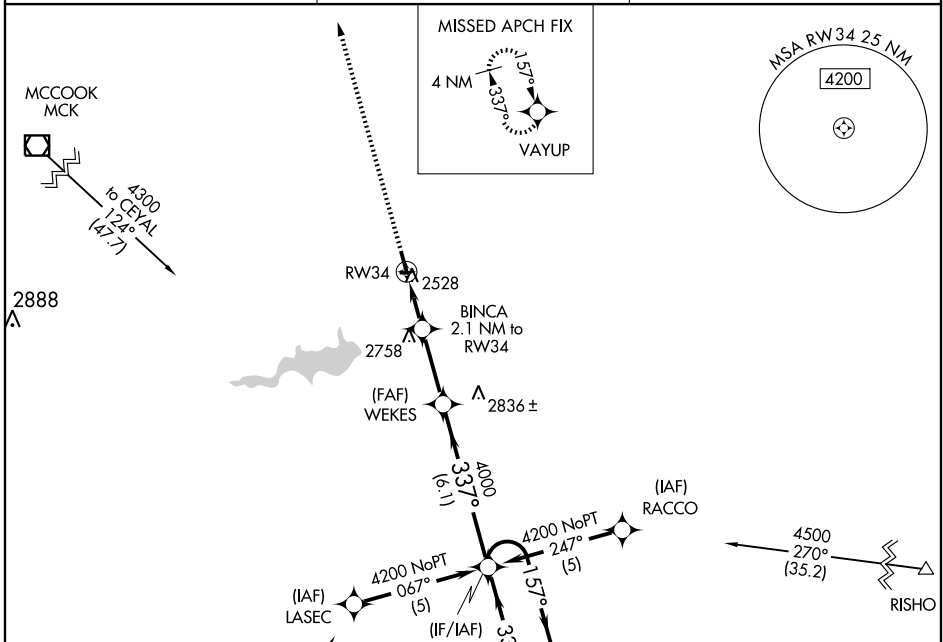
NORTON MUNI (NRN)

APP CRS 337°	Rwy Idg 4700
	TDZE 2375
	Apt Elev 2383

▽ DME/DME RNP-0.3 NA. If local altimeter setting not received, use Hill City altimeter setting and increase all MDAs 100 feet.
▲ NA Procedure NA at night.

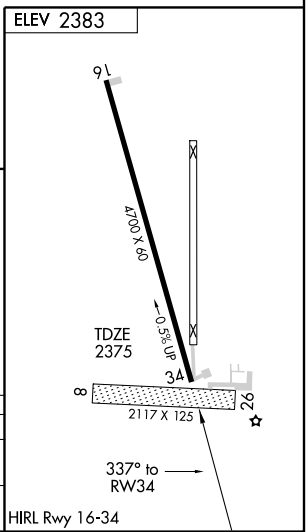
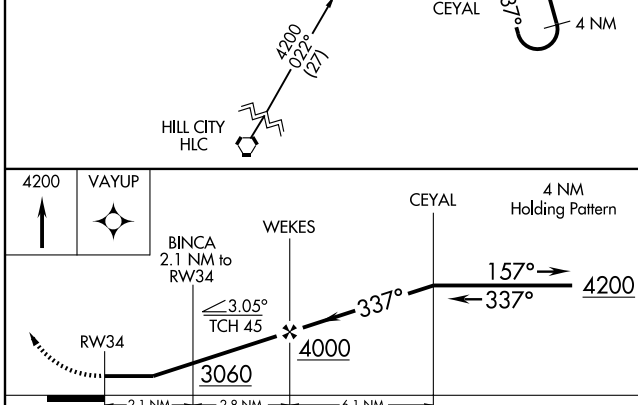
MISSED APPROACH: Climb to 4200 direct VAYUP WP and hold.

AWOS-3 118.275	DENVER CENTER 132.5 379.15	CTAF 122.9
--------------------------	--------------------------------------	----------------------



NC-2, 22 OCT 2009 to 19 NOV 2009

NC-2, 22 OCT 2009 to 19 NOV 2009



CATEGORY	A	B	C	D
LNVA MDA	2840-1 465 (500-1)		2840-1¼ 465 (500-1¼)	NA
CIRCLING	2880-1 497 (500-1)		2880-1½ 497 (500-1½)	NA