

RNAV (GPS) RWY 22

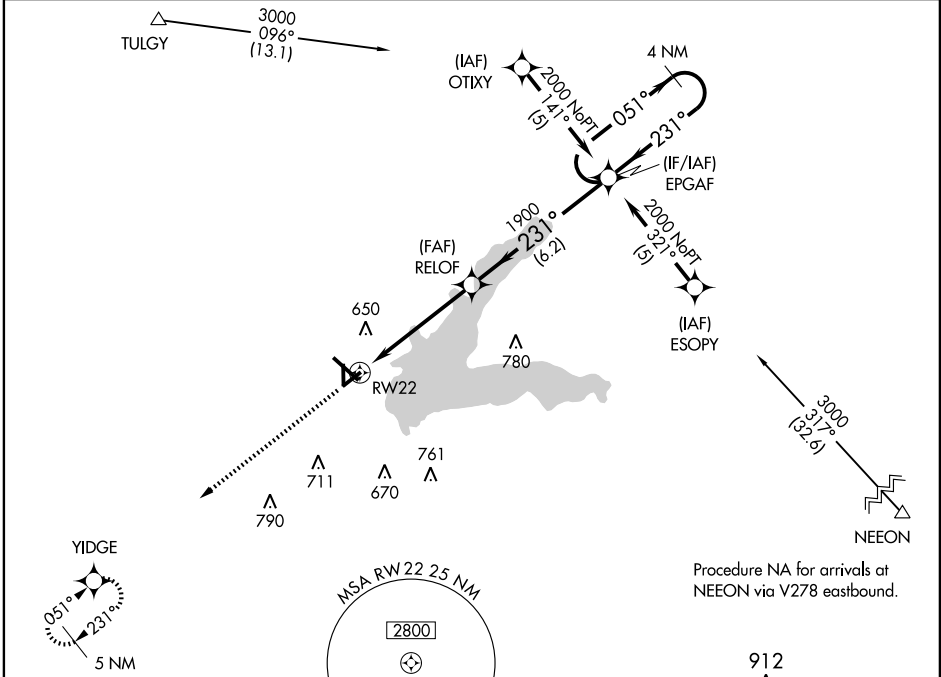
GRENADA MUNI (GNF)

APP CRS 231°	Rwy Idg 4775
	TDZE 201
	Apt Elev 208

▽ DME/DME RNP-0.3 NA. If local altimeter setting not received, use Greenwood altimeter setting. **MISSED APPROACH:** Climb to 2000 direct YIDGE and hold.

▲ NA

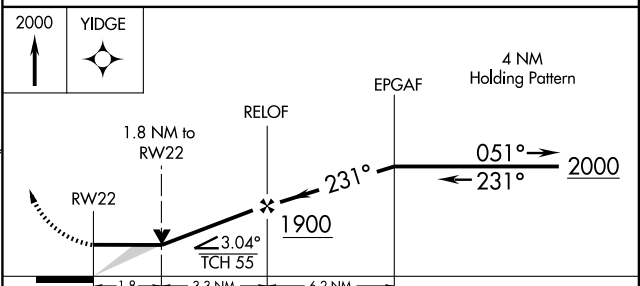
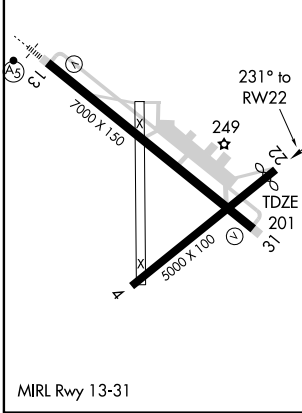
AWOS-3 118.025	MEMPHIS CENTER 128.5 381.4	GCO 121.72	UNICOM 122.8 (CTAF)
--------------------------	--------------------------------------	----------------------	-------------------------------



SC-4, 22 OCT 2009 to 19 NOV 2009

SC-4, 22 OCT 2009 to 19 NOV 2009

ELEV 208	Rwy 22 Idg 4775'
----------	------------------



CATEGORY	A	B	C	D
LNAV MDA	840-1	639 (700-1)	840-1¾ 639 (700-1¾)	840-2 639 (700-2)
CIRCLING	1000-1 792 (800-1)	1000-1¼ 792 (800-1¼)	1000-2¼ 792 (800-2¼)	1000-2½ 792 (800-2½)

RNAV (GPS) RWY 22