

NDB or GPS RWY 3

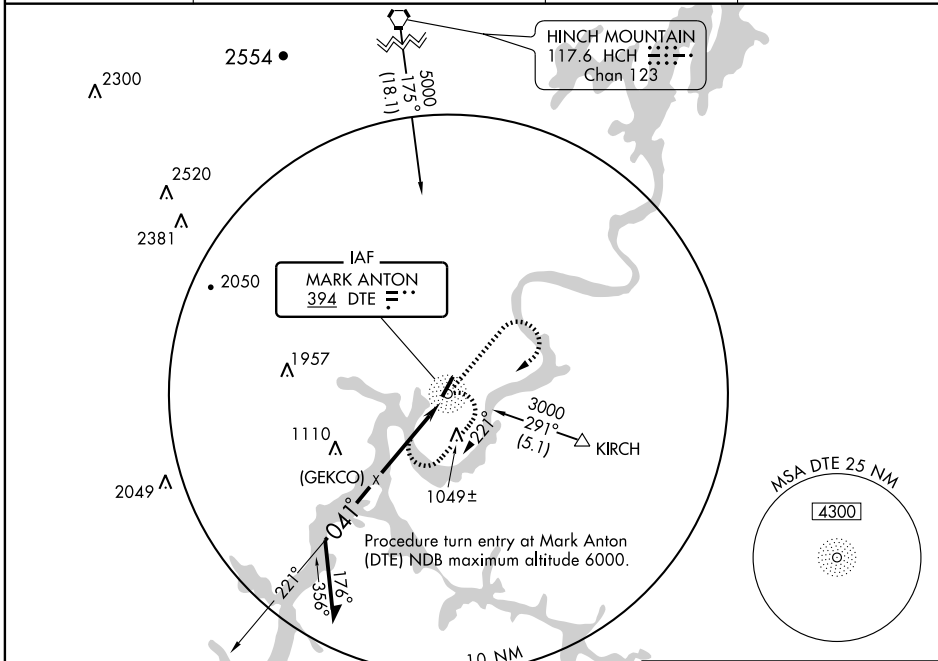
DAYTON/MARK ANTON (2A0)

NDB DTE	APP CRS	Rwy Idg	5000
394	041°	TDZE	715
		Apt Elev	719

NA If local altimeter setting is not received, use Crossville altimeter setting and increase all MDAs 240 feet.

MISSED APPROACH: Climb to 2000 then climbing right turn to 3000 direct DTE NDB and hold.

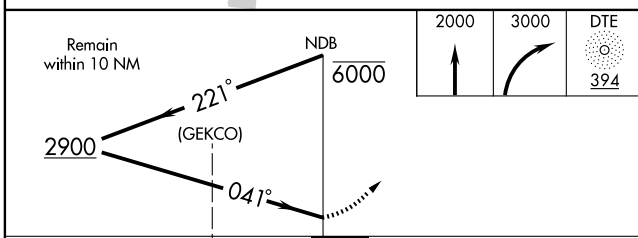
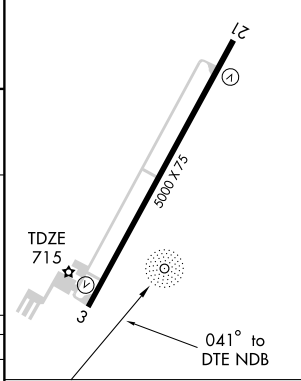
AWOS-3 135.075	CHATTANOOGA APP CON ★ 125.1 379.1	GCO 121.725	UNICOM 123.0 (CTAF)
--------------------------	---	-----------------------	-------------------------------



SE-1, 22 OCT 2009 to 19 NOV 2009

SE-1, 22 OCT 2009 to 19 NOV 2009

ELEV 719
MIRL Rwy 3-21
REIL Rwys 3 and 21



CATEGORY	A	B	C	D
S-3	1460-1 745 (800-1)	1460-1½ 745 (800-1½)	1460-2¼ 745 (800-2¼)	1460-2½ 745 (800-2½)
CIRCLING	1460-1 741 (800-1)	1460-1½ 741 (800-1½)	1460-2¼ 741 (800-2¼)	1460-2½ 741 (800-2½)

Knots	60	90	120	150	180
Min:Sec					