

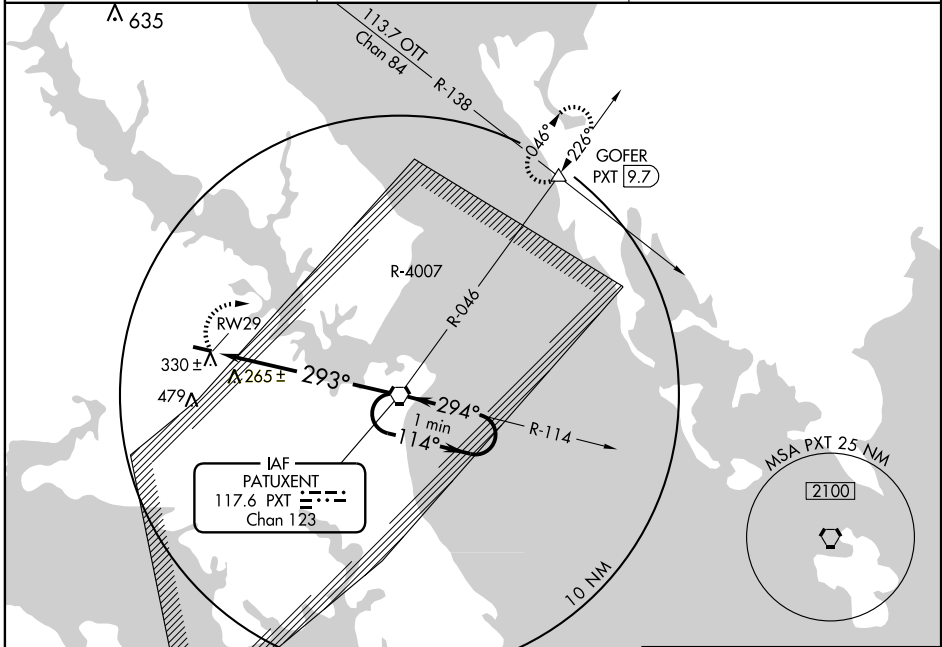
VORTAC PXT 117.6 Chan 123	APP CRS 293°	Rwy Idg TDZE 137 Apt Elev 142	4150
---	------------------------	---	-------------

VOR or GPS RWY 29

LEONARDTOWN/ ST. MARY'S COUNTY RGNL (2W6)

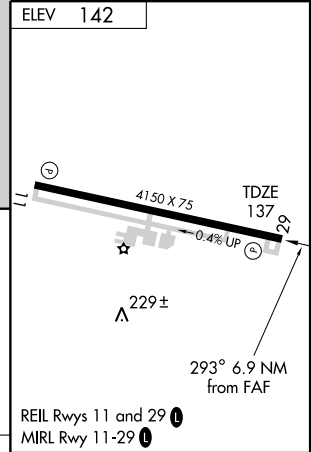
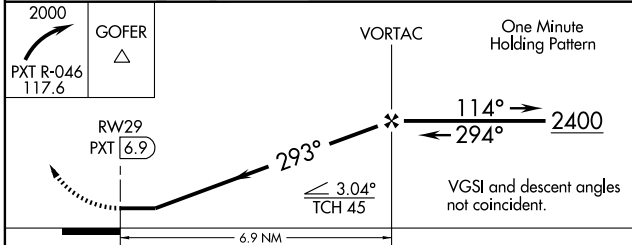
▽ △ NA	Use NAS Patuxent River altimeter setting.	MISSED APPROACH: Climbing right turn to 2000 via PXT R-046 to GOFER Int and hold.
-------------------------	---	---

AWOS-3 119.575	PATUXENT APP CON * 121.0 250.3	UNICOM 123.0 (CTAF) 0
--------------------------	--	---------------------------------



NE-3, 22 OCT 2009 to 19 NOV 2009

NE-3, 22 OCT 2009 to 19 NOV 2009



CATEGORY	A				B				C				D				FAF to MAP 6.9 NM				
	S-29	680-1	543	(600-1)					NA							Knots	60	90	120	150	180
CIRCLING	680-1	538	(600-1)					NA							Min:Sec	6:54	4:36	3:27	2:46	2:18	