

PARIS, ILLINOIS

AL-6298 (FAA)

VORTAC TTH 115.3 Chan 100	APP CRS 301°	Rwy Idg TDZE Apt Elev	N/A N/A 654
---	------------------------	-----------------------------	--

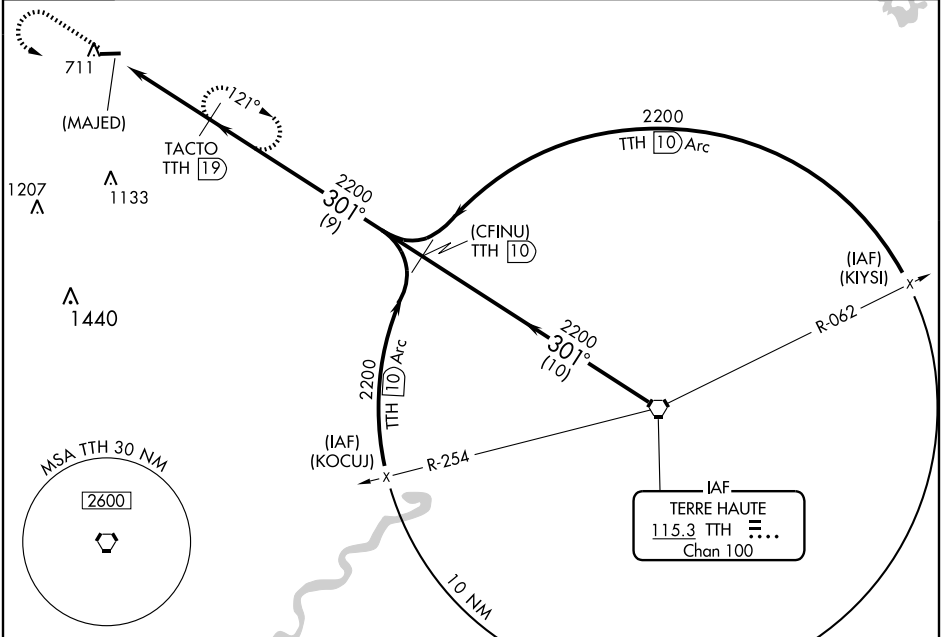
VOR/DME or GPS-A

PARIS/ EDGAR COUNTY (PRG)

▼ Obtain local altimeter setting on CTAF; when not received, use Terre Haute altimeter setting.
 ▲ NA

MISSED APPROACH: Climb to 2200 then left turn via TTH R-301 to TACTO 19 DME and hold.

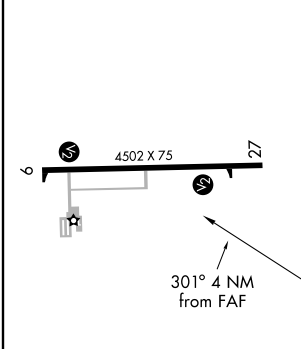
AWOS-3 124.175	HULMAN APP CON ★ 125.45 339.8	UNICOM 123.0 (CTAF) 0
--------------------------	---	---------------------------------



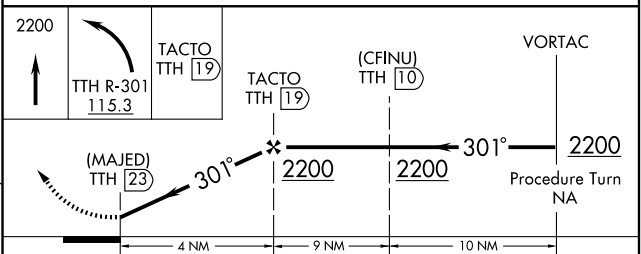
EC-3, 22 OCT 2009 to 19 NOV 2009

EC-3, 22 OCT 2009 to 19 NOV 2009

ELEV 654



REIL Rwy 27	MIRL Rwy 9-27
Knots	60 90 120 150 180
Min:Sec	



CATEGORY	A	B	C	D
CIRCLING	1200-1 546 (600-1)	1200-1¼ 546 (600-1¼)	1200-1½ 546 (600-1½)	NA
TERRE HAUTE ALTIMETER SETTING MINIMUMS				
CIRCLING	1280-1 626 (700-1)	1280-1¼ 626 (700-1¼)	1280-1¾ 626 (700-1¾)	NA

PARIS, ILLINOIS
Amdt 7 07354

39°42'N-87°40'W

PARIS/ EDGAR COUNTY (PRG)

VOR/DME or GPS-A