

VOR or GPS RWY 9

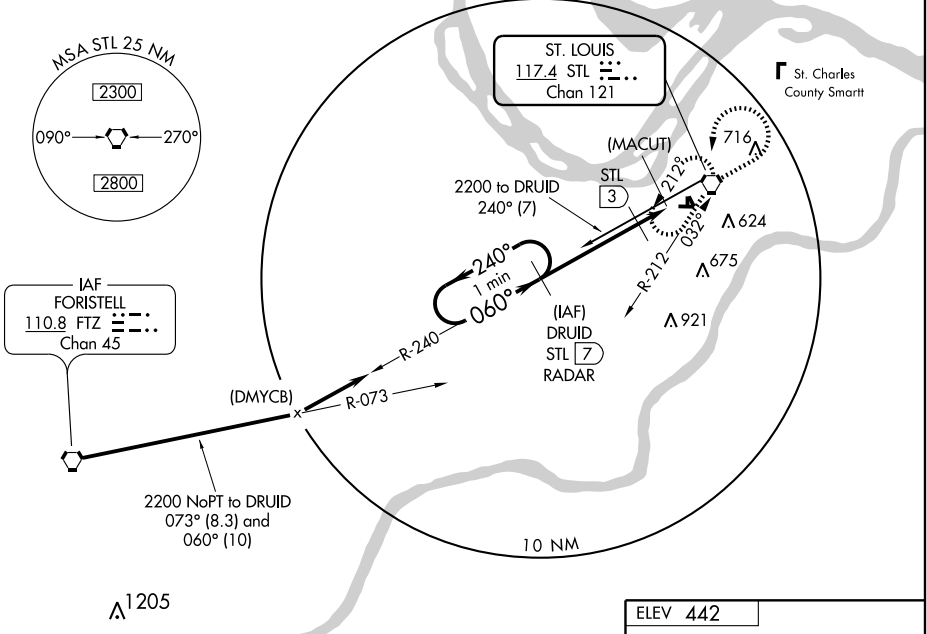
ST. CHARLES (3SQ)

VORTAC STL 117.4 Chan 121	APP CRS 060°	Rwy Idg TDZE 442 Apt Elev 442
--	------------------------	---

NA Use Lambert-St. Louis Intl altimeter setting. MISSED APPROACH: Climb to 2200 then left turn direct STL VORTAC and hold.

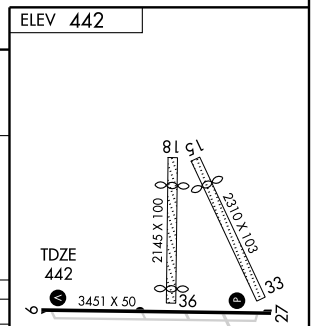
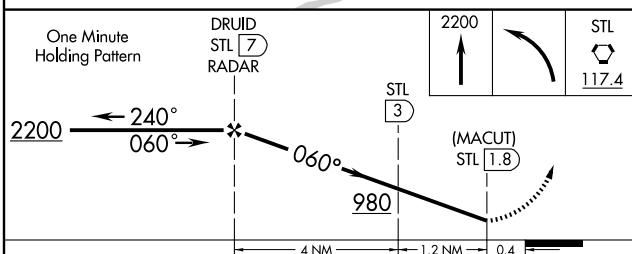
ST. LOUIS APP CON 124.2 353.9	CLNC DEL 120.15	UNICOM 123.0 (CTAF) 0
---	---------------------------	---------------------------------

DME or RADAR REQUIRED



NC-3, 22 OCT 2009 to 19 NOV 2009

NC-3, 22 OCT 2009 to 19 NOV 2009



CATEGORY	A	B	C	D
S-9	980-1	538 (600-1)	980-1½ 538 (600-1½)	NA
CIRCLING	980-1 538 (600-1)	1000-1 558 (600-1)	1000-1½ 558 (600-1½)	NA
DME MINIMUMS				
S-9	860-1	418 (500-1)	860-1¼ 418 (500-1¼)	NA
CIRCLING	900-1 458 (500-1)	1000-1 558 (600-1)	1000-1½ 558 (600-1½)	NA

LIRL Rwy 9-27

FAF to MAP 5.2 NM

Knots	60	90	120	150	180
Min:Sec	5:12	3:28	2:36	2:05	1:44