

ATHENS (ALBANY), OHIO

AL-5861 (FAA)

# RNAV (GPS) RWY 7

ATHENS (ALBANY)/ OHIO UNIVERSITY SNYDER FIELD (UNI)

APP CRS	Rwy Idg	<b>4700</b>
<b>067°</b>	TDZE	<b>765</b>
	Apt Elev	<b>766</b>

**NA** DME/DME RNP-0.3 NA. Baro-VNAV NA below -16°C (3°F).  
 If local altimeter setting not received, use Parkersburg, WV altimeter setting and increase DA and all MDAs 100 feet.  
 Baro-VNAV and VDP NA with Parkersburg, WV altimeter setting.

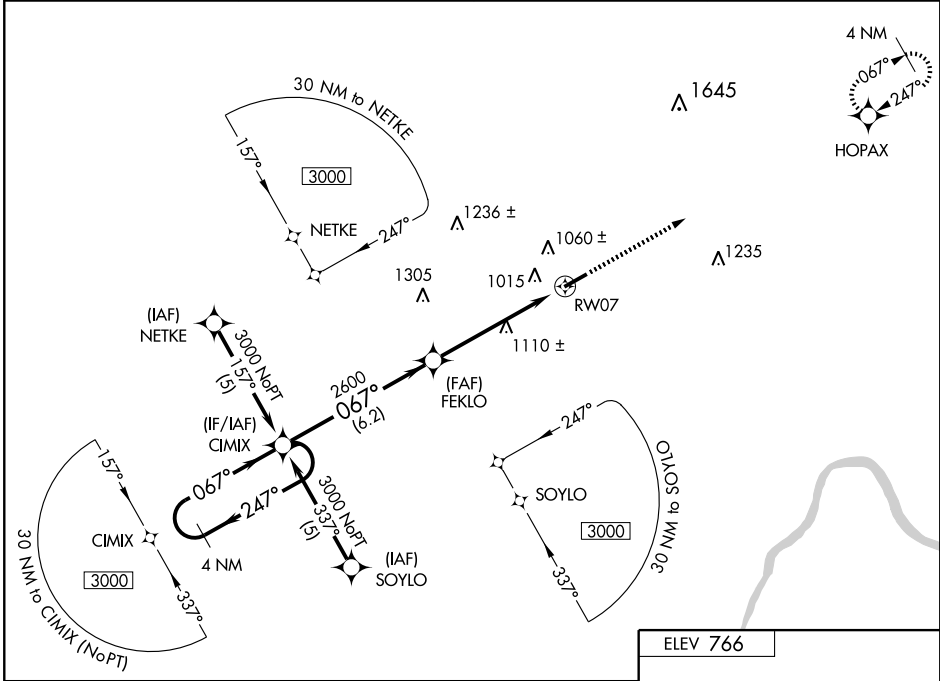
MISSED APPROACH: Climb to 3000 direct HOPAX and hold.

AWOS-3  
**128.325**

HUNTINGTON APP CON  
**120.95 270.1**

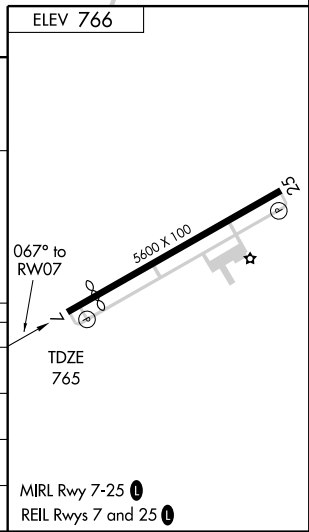
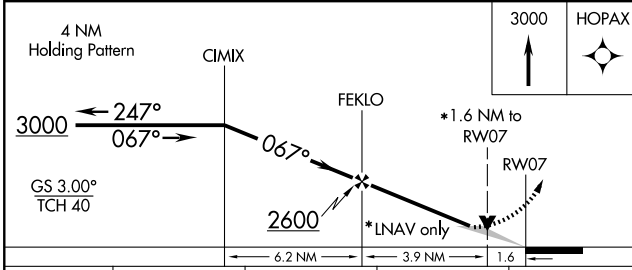
CLNC DEL  
**120.95**

UNICOM  
**123.075 (CTAF) 0**



EC-2, 22 OCT 2009 to 19 NOV 2009

EC-2, 22 OCT 2009 to 19 NOV 2009



CATEGORY	A	B	C	D
LPV DA	NA			
RNAV/VNAV DA	1360-2¼		595 (600-2¼)	
RNAV MDA	1360-1	595 (600-1)	1360-1½ 595 (600-1½)	1360-1¾ 595 (600-1¾)
CIRCLING	1380-2¼ 614 (700-2¼)	1420-2¼		654 (700-2¼)

ATHENS (ALBANY), OHIO  
 Orig-A 08325

ATHENS (ALBANY)/ OHIO UNIVERSITY SNYDER FIELD (UNI)  
 39°13'N - 82°14'W

# RNAV (GPS) RWY 7

MIRL Rwy 7-25 0  
 REIL Rwy 7 and 25 0