

NAPPANEE, INDIANA

AL-5794 (FAA)

VORTAC GSH 113.7 Chan 84	APP CRS 138°	Rwy Idg TDZE Apt Elev	N/A N/A 860
----------------------------------------------	------------------------	-----------------------------	----------------------------------------

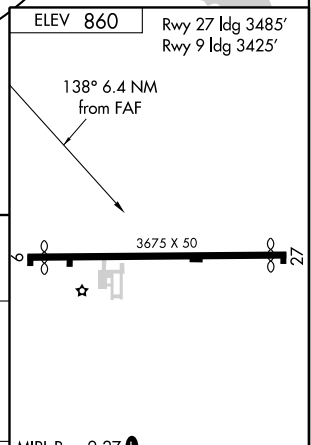
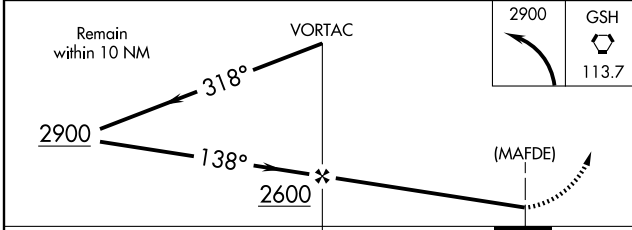
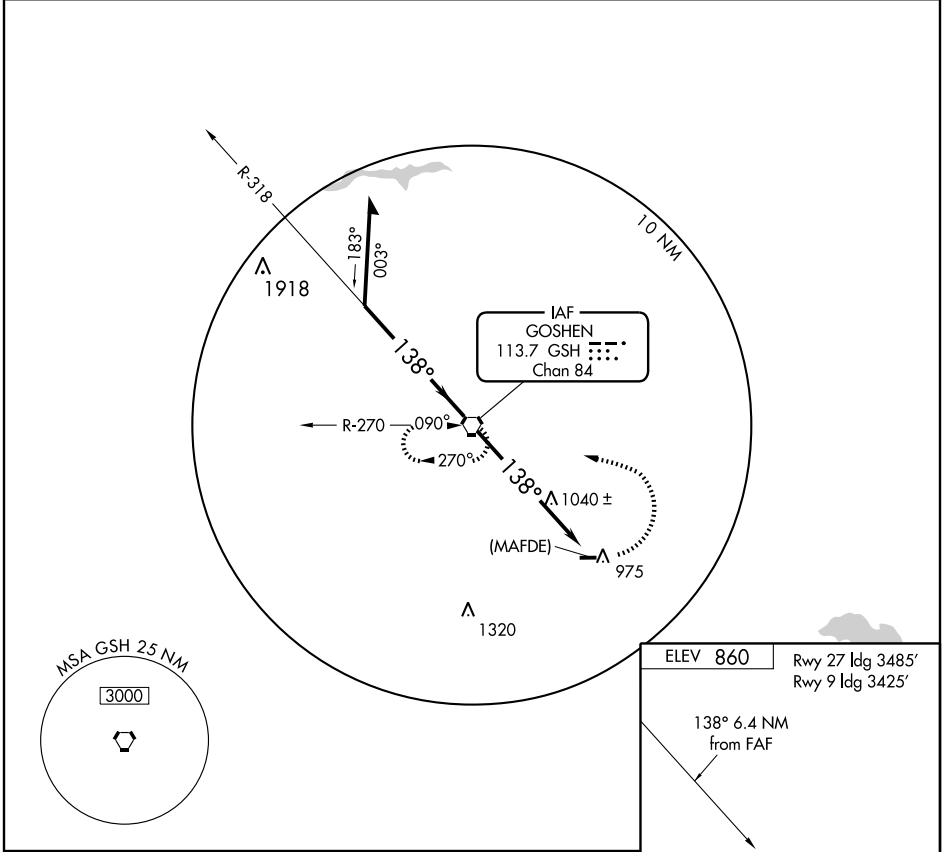
VOR or GPS-B
NAPPANEE MUNI (C03)

▼ Use South Bend altimeter setting.
▲ NA

MISSED APPROACH: Climbing left turn to 2900 direct to GSH VORTAC and hold.

SOUTH BEND APP CON * **132.05 257.8**

UNICOM **122.8** (CTAF)



CATEGORY	A	B	C	D	FAF to MAP 6.4 NM					
CIRCLING	1400-1 540 (600-1)	1420-1 560 (600-1)	NA		Knots	60	90	120	150	180
					Min:Sec	6:24	4:16	3:12	2:34	2:08

NAPPANEE, INDIANA
Amdt 1 03079

41°27'N-85°56'W

NAPPANEE MUNI (C03)
VOR or GPS-B

EC-2, 22 OCT 2009 to 19 NOV 2009

EC-2, 22 OCT 2009 to 19 NOV 2009