

NDB RWY 21

LINCOLN/LOGAN COUNTY (AAA)

NDB AAA	APP CRS	Rwy Idg	3999
329	226°	TDZE	597
		Apt Elev	597

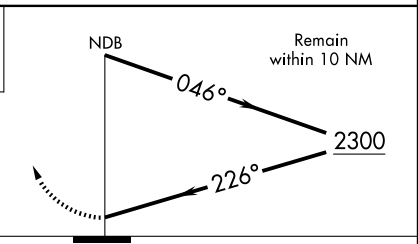
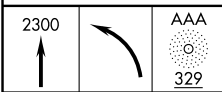
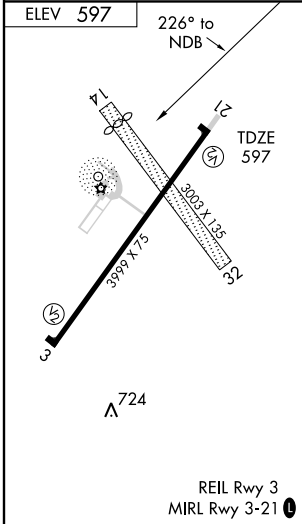
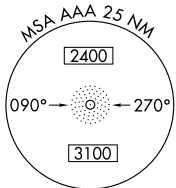
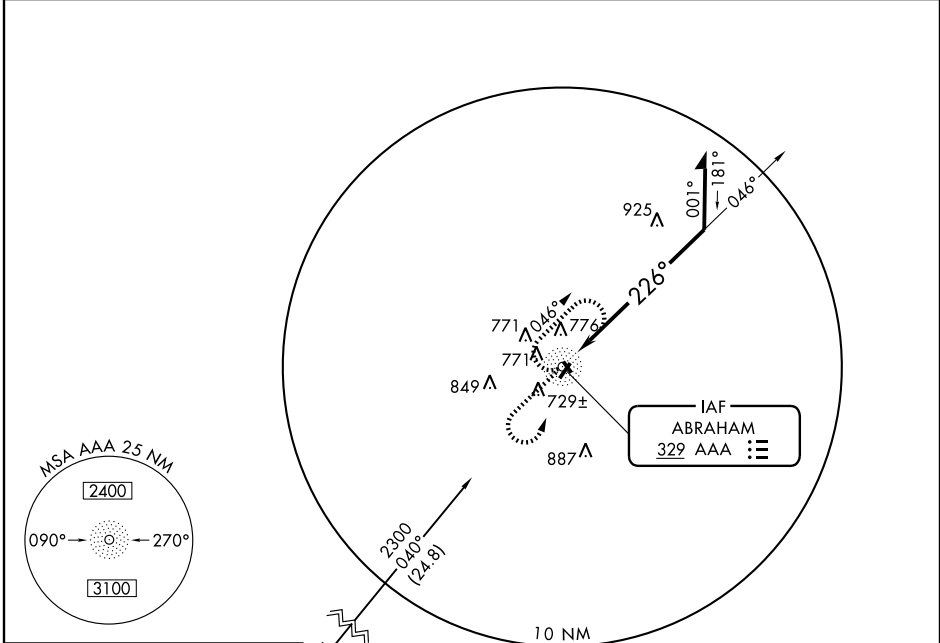
⚠ If local altimeter setting not received, use Springfield, IL altimeter setting and increase all MDA's 60 feet.
⚠ Circling to Rwy 14/32 NA at night.

MISSED APPROACH: Climb to 2300 then left turn direct AAA NDB and hold.

AWOS-3
118.775

SPRINGFIELD APP CON ★
118.6 323.0

UNICOM
122.8(CTAF) 0



CATEGORY	A	B	C	D
S-21	1340-1 743 (800-1)	1340-1¼ 743 (800-1¼)	1340-2¼ 743 (800-2¼)	1340-2½ 743 (800-2½)
CIRCLING	1340-1 743 (800-1)	1340-1¼ 743 (800-1¼)	1340-2¼ 743 (800-2¼)	1340-2½ 743 (800-2½)

REIL Rwy 3
MIRL Rwy 3-21 0

NDB RWY 21

EC-3, 22 OCT 2009 to 19 NOV 2009

EC-3, 22 OCT 2009 to 19 NOV 2009