

INDIANOLA, MISSISSIPPI

AL-5685 (FAA)

NDB RWY 35

INDIANOLA MUNI (IDL)

NDB IDL 284	APP CRS 007°	Rwy Idg TDZE Apt Elev	7004 121 126
-----------------------	------------------------	-----------------------------	---

▼ Use Greenville altimeter setting; if not received, use Greenwood altimeter setting and increase all MDAs 100 feet.

▲ NA

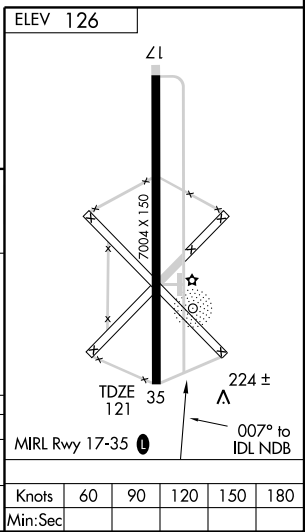
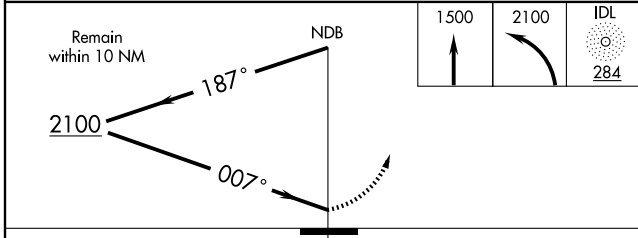
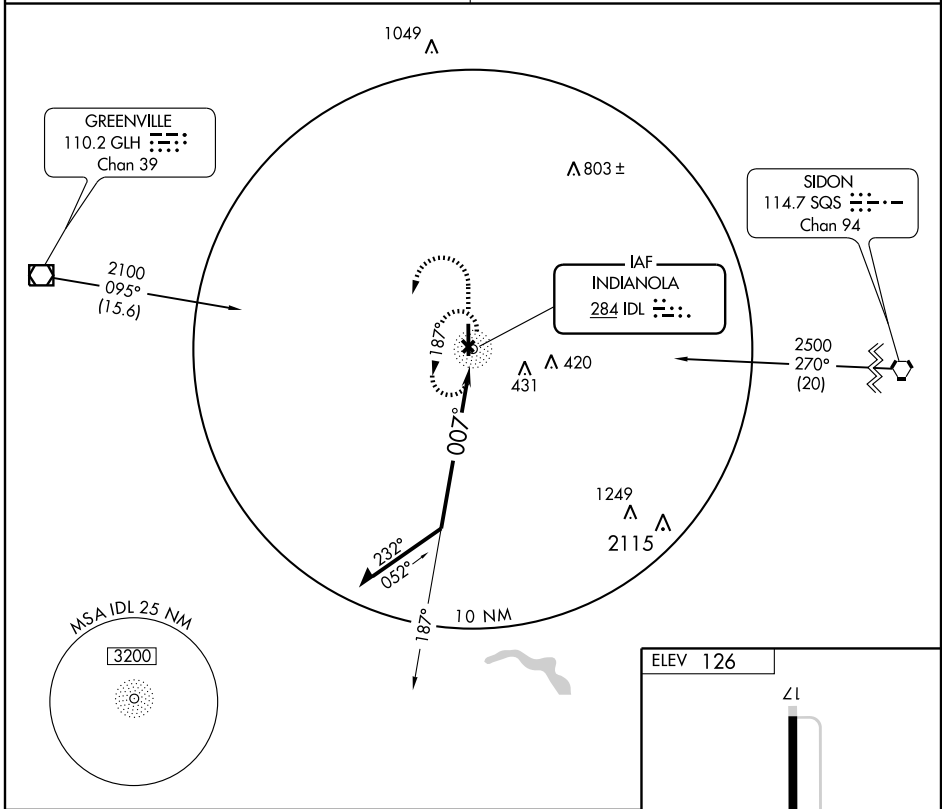
MISSED APPROACH: Climb to 1500 then climbing left turn to 2100 direct IDL NDB and hold.

MEMPHIS CENTER
135.875 269.35

UNICOM
122.8 (CTAF)

SC-4, 22 OCT 2009 to 19 NOV 2009

SC-4, 22 OCT 2009 to 19 NOV 2009



CATEGORY	A	B	C	D
S-35	740-1 619 (700-1)		740-1¾ 619 (700-1¾)	740-2 619 (700-2)
CIRCLING	740-1 614 (700-1)		740-1¾ 614 (700-1¾)	780-2 654 (700-2)

INDIANOLA, MISSISSIPPI
Amdt 5 08269

33° 29' N-90° 40' W

INDIANOLA MUNI (IDL)

NDB RWY 35