

CROOKSTON, MINNESOTA

AL-5682 (FAA)

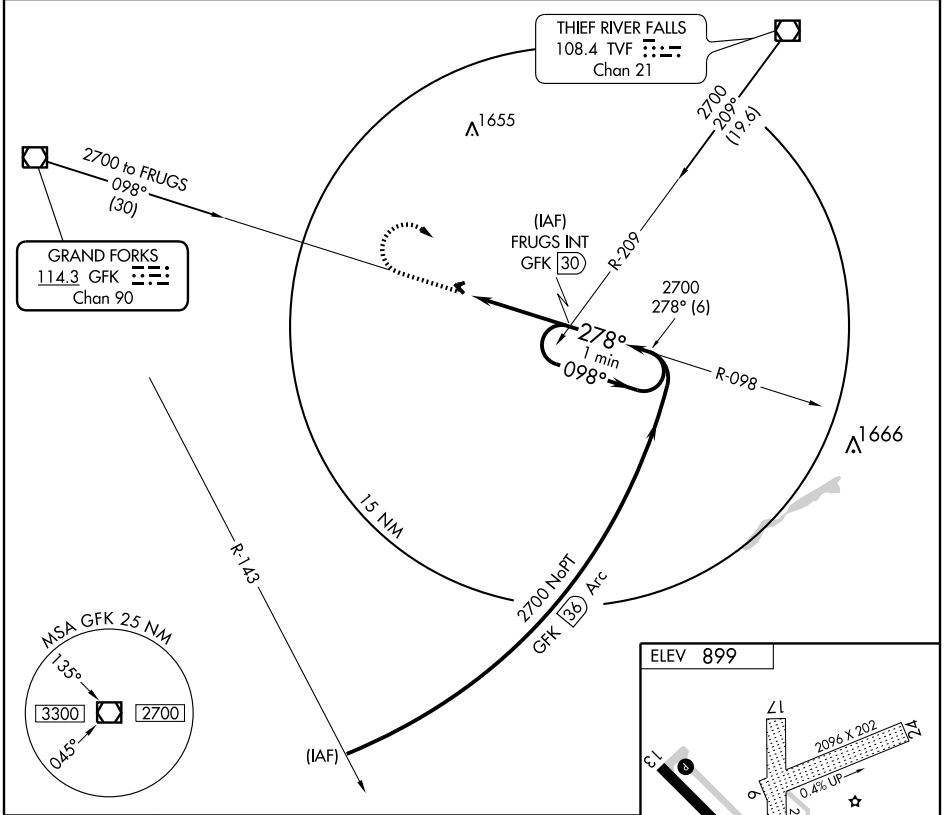
VOR RWY 31

CROOKSTON MUNI-KIRKWOOD FIELD (CKN)

VOR/DME GFK 114.3 Chan 90	APP CRS 278°	Rwy Idg TDZE Apt Elev	4300 896 899
--	------------------------	-----------------------------	---

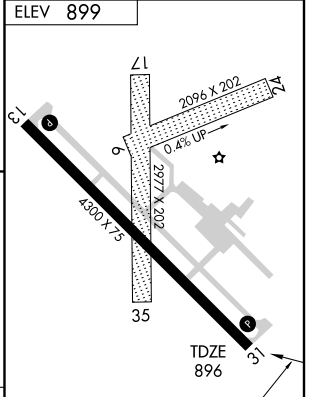
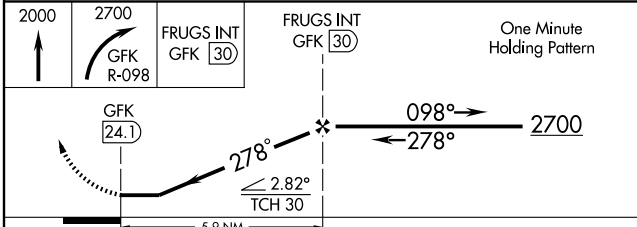
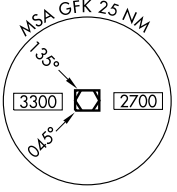
MISSED APPROACH: Climb to 2000 then climbing right turn to 2700 via GFK R-098 to FRUGS Int and hold.

AWOS-3 400	GRAND FORKS APP CON 118.1 318.1	CLNC DEL 118.15	UNICOM 122.7 (CTAF) 0
----------------------	---	---------------------------	---------------------------------



NC-1, 22 OCT 2009 to 19 NOV 2009

NC-1, 22 OCT 2009 to 19 NOV 2009



CATEGORY	A	B	C	D
S-31	1700-1 804 (900-1)	1700-1 1/4 804 (900-1 1/4)	1700-2 1/4 804 (900-2 1/4)	NA
CIRCLING	1700-1 801 (900-1)	1700-1 1/4 801 (900-1 1/4)	1700-2 1/4 801 (900-2 1/4)	NA

REIL Rwy 13 and 31	278° 5.9 NM from FAF
MIRL Rwy 13-31	
FAF to MAP 5.9 NM	
Knots	60 90 120 150 180
Min:Sec	5:54 3:56 2:57 2:22 1:58

CROOKSTON, MINNESOTA
Amdt 5 08157

47°51'N-96°37'W

CROOKSTON MUNI-KIRKWOOD FIELD (CKN)

VOR RWY 31