

PERRY, IOWA

AL-5668 (FAA)

NDB RWY 14

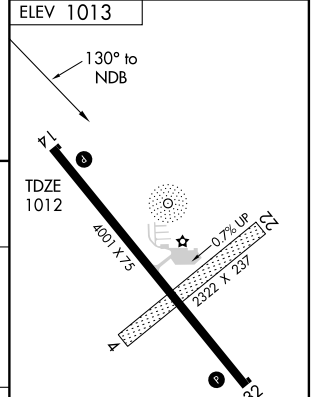
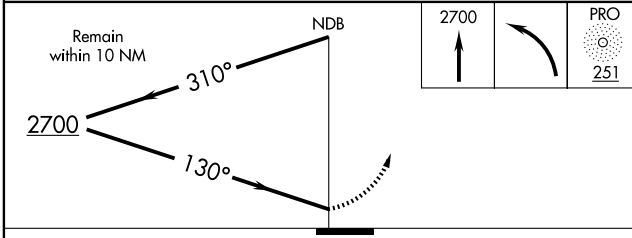
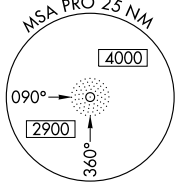
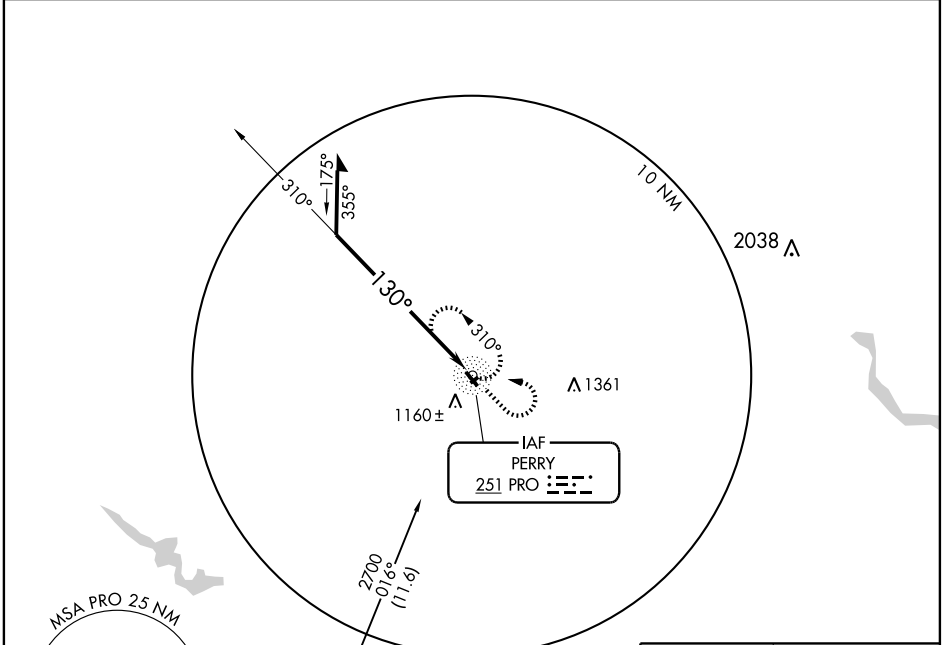
PERRY MUNI (PRO)

NDB PRO 251	APP CRS 130°	Rwy Idg TDZE Apt Elev	4001 1012 1013
-----------------------	------------------------	-----------------------------	---

NA When local altimeter setting not received, use Boone altimeter setting and increase all MDA 80 feet.

MISSED APPROACH: Climb to 2700, then left turn direct PRO NDB and hold.

AWOS-3 118.0	DES MOINES APP CON 135.2 360.7	UNICOM 122.8 (CTAF)
------------------------	--	-------------------------------



CATEGORY	A	B	C	D
S-14	1640-1	628 (700-1)	NA	
CIRCLING	1640-1	627 (700-1)	NA	

MIRL Rwy 14-32
REIL Rws 14 and 32

NC-3, 22 OCT 2009 to 19 NOV 2009

NC-3, 22 OCT 2009 to 19 NOV 2009

PERRY, IOWA
Amdt 2B 08353

41°50'N-94°10'W

PERRY MUNI (PRO)
NDB RWY 14