

APP CRS 155°	Rwy ldg TDZE Apt Elev	5010 127 127
------------------------	-----------------------------	-----------------------------------------

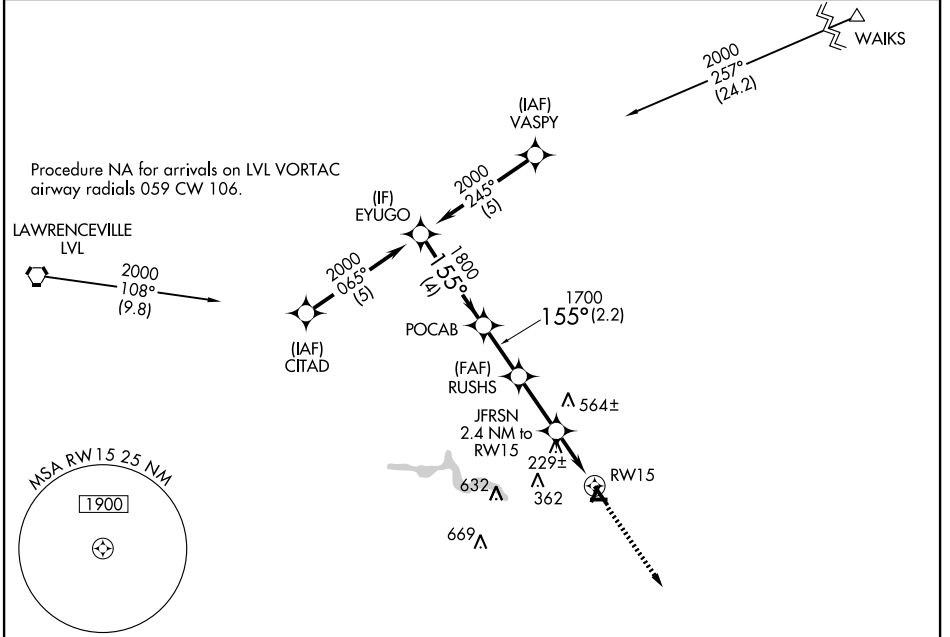
RNAV (GPS) RWY 15

EMPORIA-GREENSVILLE RGNL (EMV)

Procedure NA at night. DME/DME RNP-0.3 NA. When local altimeter setting not received, use Ahoskie altimeter setting and increase all MDA 80 feet.

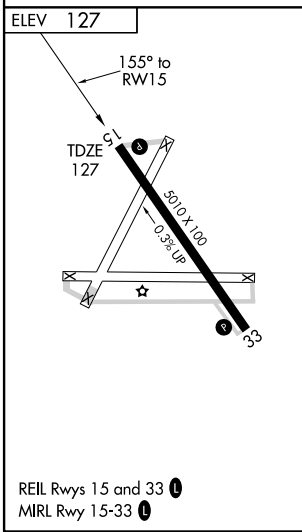
MISSED APPROACH: Climb to 2000 direct XETIY and hold.

AWOS-3 124.175	WASHINGTON CENTER 132.025 269.4	UNICOM 123.0 (CTAF) 0
--------------------------	-------------------------------------------	---------------------------------



NE-3, 22 OCT 2009 to 19 NOV 2009

NE-3, 22 OCT 2009 to 19 NOV 2009



Procedure Turn NA

2000 → 155° → 1800 → 1700 → 3.04° TCH 31 → 920 → RWY 15

	4 NM	2.2 NM	2.4 NM	2.4 NM
CATEGORY	A	B	C	D
LNAV MDA	480-1	353 (400-1)	NA	NA
CIRCLING	560-1 433 (500-1)	580-1 453 (500-1)	NA	NA