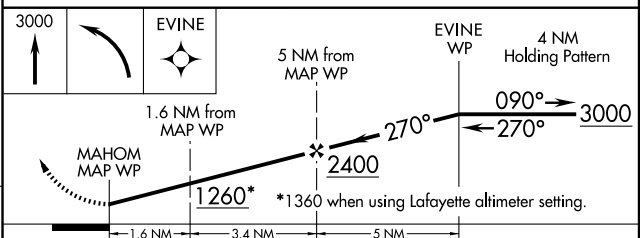
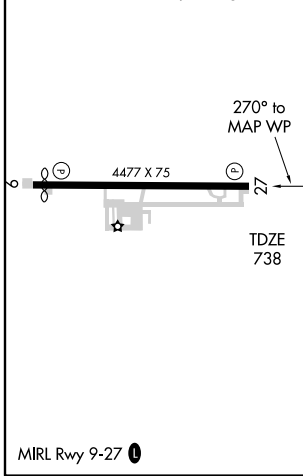
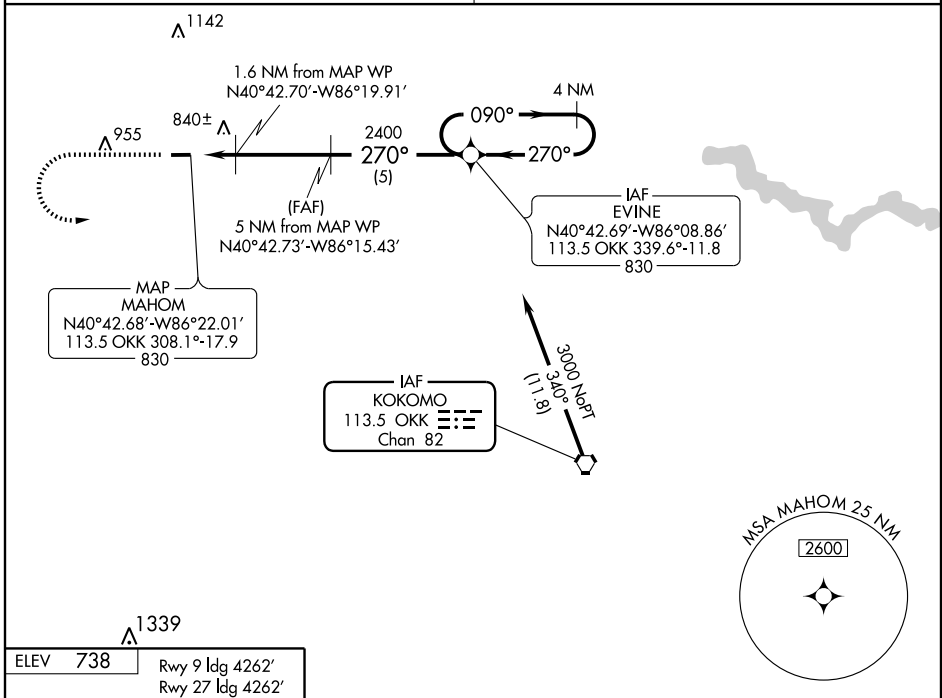


VOR/DME RNAV RWY 27

LOGANSPORT/CASS COUNTY (GGP)

VORTAC OKK 113.5 Chan 82	APP CRS 270°	Rwy ldg 4262 TDZE 738 Apt Elev 738
--	------------------------	---

<p>▼ Obtain local altimeter setting on CTAF; when not received, use Lafayette altimeter setting.</p>	<p>MISSED APPROACH: Climb to 3000, then left turn direct EVINE WP and hold.</p>
<p>GRISSOM APP CON ★ 121.05 379.3</p>	<p>UNICOM 122.8 (CTAF) 0</p>



CATEGORY	A	B	C	D
S-27	1100-1 362 (400-1)	1100-1¼ 362 (400-1¼)	1100-1½ 362 (400-1½)	1100-1¾ 362 (400-1¾)
CIRCLING	1140-1 402 (500-1)	1200-1¼ 462 (500-1¼)	1200-1½ 462 (500-1½)	1300-2 562 (600-2)
LAFAYETTE ALTIMETER SETTINGS MINIMUMS				
S-27	1200-1 462 (500-1)	1200-1¼ 462 (500-1¼)	1200-1½ 462 (500-1½)	1200-1¾ 462 (500-1¾)
CIRCLING	1240-1 502 (600-1)	1240-1¼ 502 (600-1¼)	1240-1½ 502 (600-1½)	1400-2 662 (700-2)

EC-2, 22 OCT 2009 to 19 NOV 2009

EC-2, 22 OCT 2009 to 19 NOV 2009