

OWATONNA, MINNESOTA

AL-5426 (FAA)

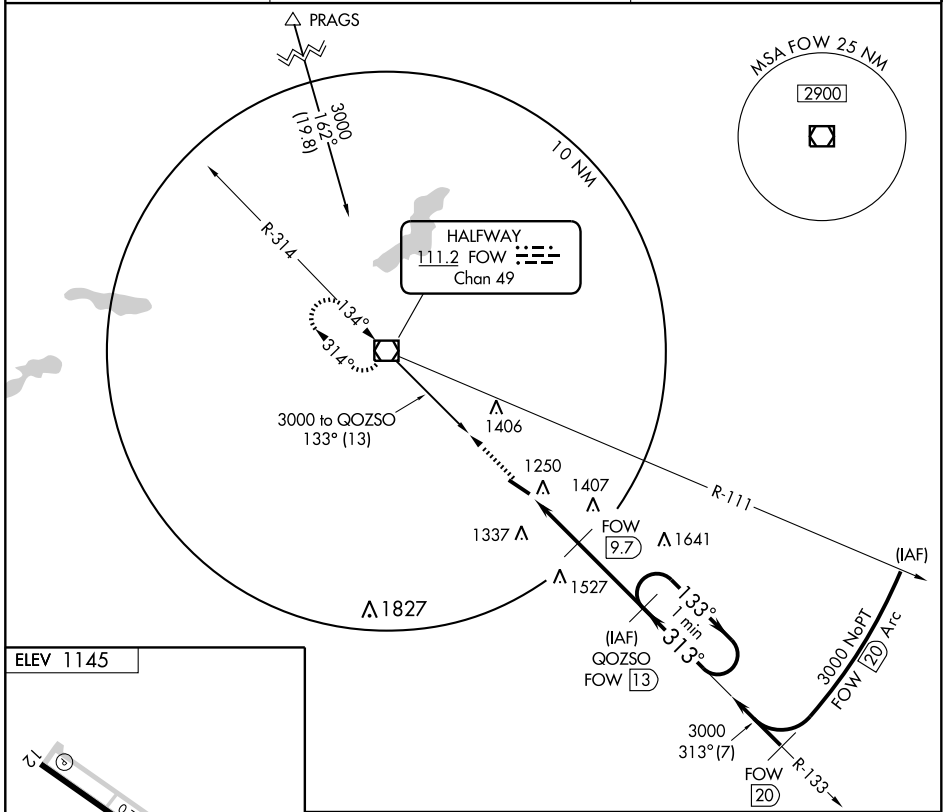
VOR/DME RWY 30

OWATONNA DEGNER RGNL (OWA)

VOR/DME FOW 111.2 Chan 49	APP CRS 313°	Rwy Idg 5500 TDZE 1145 Apt Elev 1145
---	------------------------	---

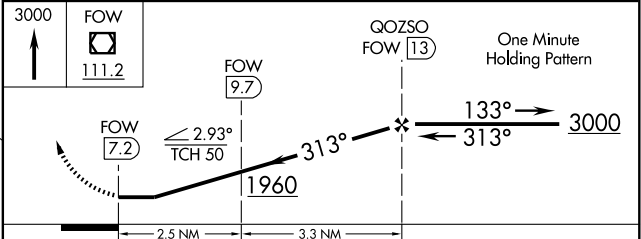
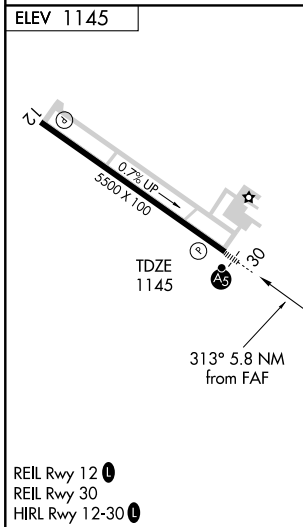
NA MALS R	MISSED APPROACH: Climb to 3000 direct FOW VOR/DME and hold.
--------------	--

AWOS-3 128.325	ROCHESTER APP CON * 119.8 251.125	UNICOM 122.7 (CTAF) 0
--------------------------	---	---------------------------------



NC-1, 22 OCT 2009 to 19 NOV 2009

NC-1, 22 OCT 2009 to 19 NOV 2009



CATEGORY	A	B	C	D
S-30	1700-1	555 (600-1)	1700-1½ 555 (600-1½)	1700-1¾ 555 (600-1¾)
CIRCLING	1700-1	555 (600-1)	1700-1½ 555 (600-1½)	1720-2 575 (600-2)

OWATONNA, MINNESOTA
Amdt 4 09015

44°07'N - 93°16'W

VOR/DME RWY 30

OWATONNA DEGNER RGNL (OWA)