

RNAV (GPS) RWY 8L

ST. LOUIS/ SPIRIT OF ST. LOUIS (SUS)

WAAS CH 99414 W08A	APP CRS 076°	Rwy Idg TDZE 463 Apt Elev 463	5000
--	------------------------	---	-------------

▼ For uncompensated Baro-VNAV systems, LNAV/VNAV NA below -15°C (5°F) or above 48°C (118°F). DME/DME RNP-0.3 NA. Visibility reduction by helicopters NA.
 ▲ VDP NA and Baro-VNAV NA when using Lambert-St Louis Intl altimeter setting. When local altimeter setting not received, use Lambert-St Louis Intl altimeter setting and increase all DA 57 feet and all MDA 60 feet, increase LNAV/VNAV visibility all Cats 1/4 mile.

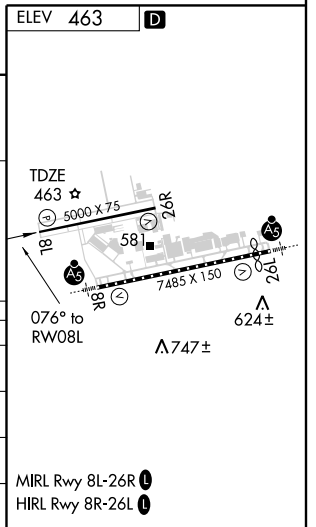
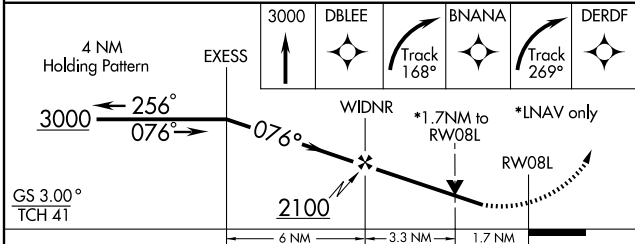
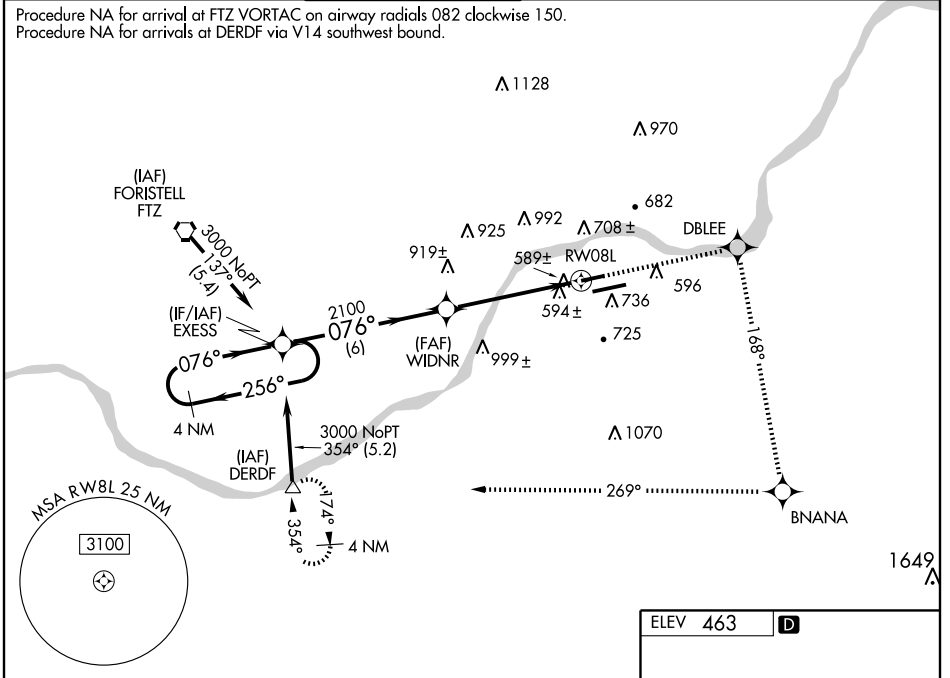
MISSED APPROACH: Climb to 3000 direct DBLEE and right turn via track 168° to BNANA and right turn via track 269° to DERDF and hold.

ATIS 134.8	ST. LOUIS APP CON 126.5 254.3	SPIRIT TOWER* 124.75(CTAF) 257.2	GND CON 121.7	CLNC DEL 133.1	ST. LOUIS CLNC DEL 121.7 (when tower closed)
----------------------	---	--	-------------------------	--------------------------	---

Procedure NA for arrival at FTZ VORTAC on airway radials 082 clockwise 150.
 Procedure NA for arrivals at DERDF via V14 southwest bound.

NC-3, 22 OCT 2009 to 19 NOV 2009

NC-3, 22 OCT 2009 to 19 NOV 2009



CATEGORY	A	B	C	D
LPV DA	855-1½	392 (400-1½)		NA
LNAV/VNAV DA	1075-2¼	612 (700-2¼)		NA
LNAV MDA	1040-1	577 (600-1)		NA
CIRCLING	1100-1	637 (700-1)		NA