

DEFIANCE, OHIO

AL-5076 (FAA)

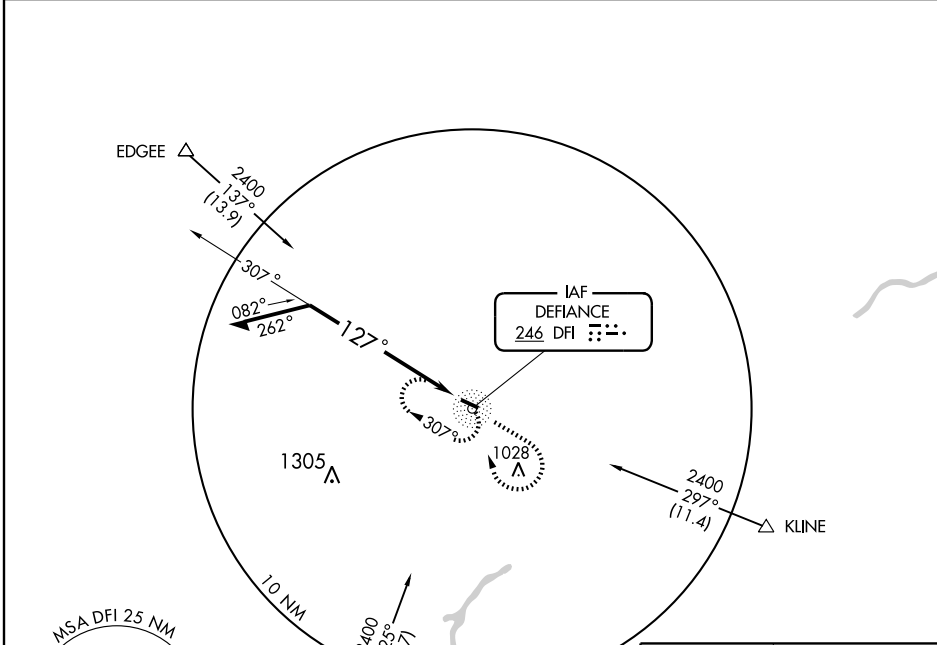
NDB RWY 12

DEFIANCE MEMORIAL (DFI)

NDB DFI 246	APP CRS 127°	Rwy Idg TDZE Apt Elev	4197 708 708
-----------------------	------------------------	-----------------------------	---

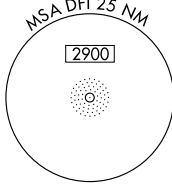
MISSED APPROACH: Climb to 2000 then climbing right turn to 2400 direct DFI NDB and hold.

ASOS 121.425	TOLEDO APP CON 134.35 307.0	UNICOM 122.7 (CTAF) 1
------------------------	---------------------------------------	--

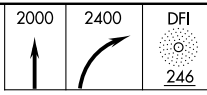
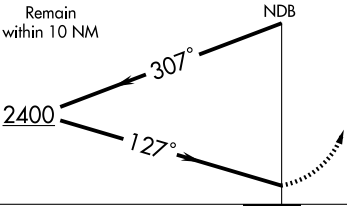
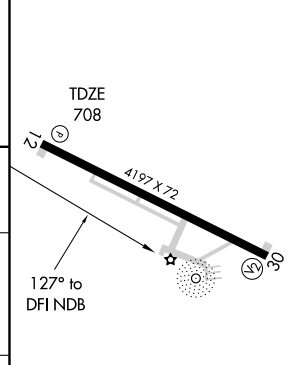


EC-2, 22 OCT 2009 to 19 NOV 2009

EC-2, 22 OCT 2009 to 19 NOV 2009



ELEV	708
------	-----



CATEGORY	A	B	C	D
S-12	1240-1 532 (600-1)		1240-1½ 532 (600-1½)	1240-1¾ 532 (600-1¾)
CIRCLING	1240-1 532 (600-1)		1240-1½ 532 (600-1½)	1260-2 552 (600-2)

REIL Rwys 12 and 30 1					
MIRL Rwy 12-30 1					
Knots	60	90	120	150	180
Min:Sec					

DEFIANCE, OHIO
Amdt 10 03135

41°20'N - 84°26'W

DEFIANCE MEMORIAL (DFI) NDB RWY 12