

POINT LAY, ALASKA

AL-2303 (FAA)

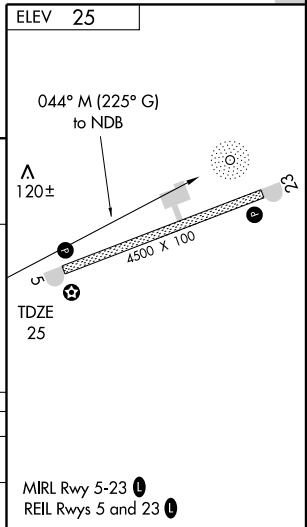
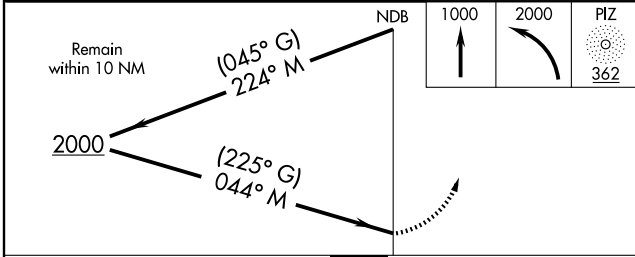
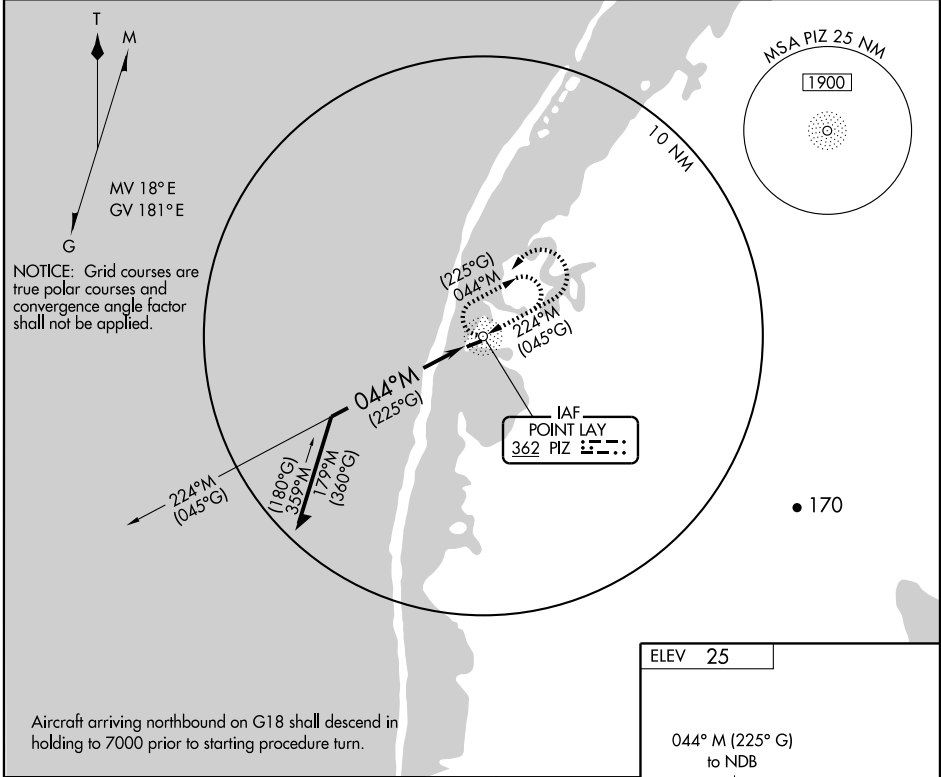
NDB PIZ	APP CRS	Rwy Idg	<b>4500</b>
<b>362</b>	<b>044° M</b>	TDZE	<b>25</b>
	<b>(225° G)</b>	Apt Elev	<b>25</b>

# NDB RWY 5

POINT LAY LRRS (PIZ) (PPIZ)

MISSED APPROACH: Climb to 1000, then climbing left turn to 2000 direct PIZ NDB and hold.

ASOS <b>135.65</b>	ANCHORAGE CENTER <b>119.65 363.25</b>	CTAF <b>122.8</b>
-----------------------	--	----------------------



CATEGORY	A	B	C	D
S-5	520-1	495 (500-1)	520-1½ 495 (500-1¼)	NA
CIRCLING	520-1	495 (500-1)	520-1½ 495 (500-1½)	NA

POINT LAY, ALASKA  
Orig 09295

69°44' N-163°00' W

POINT LAY LRRS (PIZ) (PPIZ)  
**NDB RWY 5**

AK, 22 OCT 2009 to 17 DEC 2009

AK, 22 OCT 2009 to 17 DEC 2009