

MIDDLETON ISLAND, ALASKA

AL-2115 (FAA)

VOR/DME MDO 115.3 Chan 100	APP CRS 197°	Rwy Idg 3158 TDZE 100 Apt Elev 100
--	------------------------	---

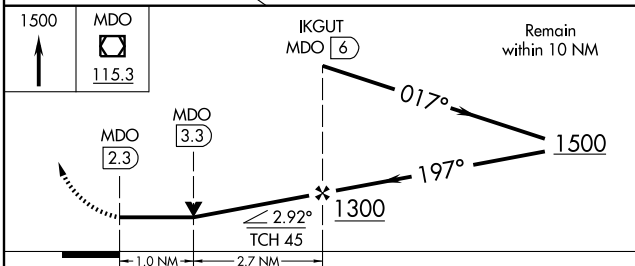
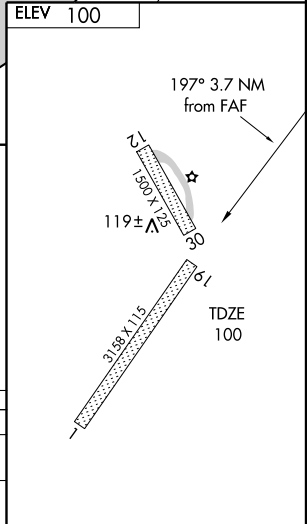
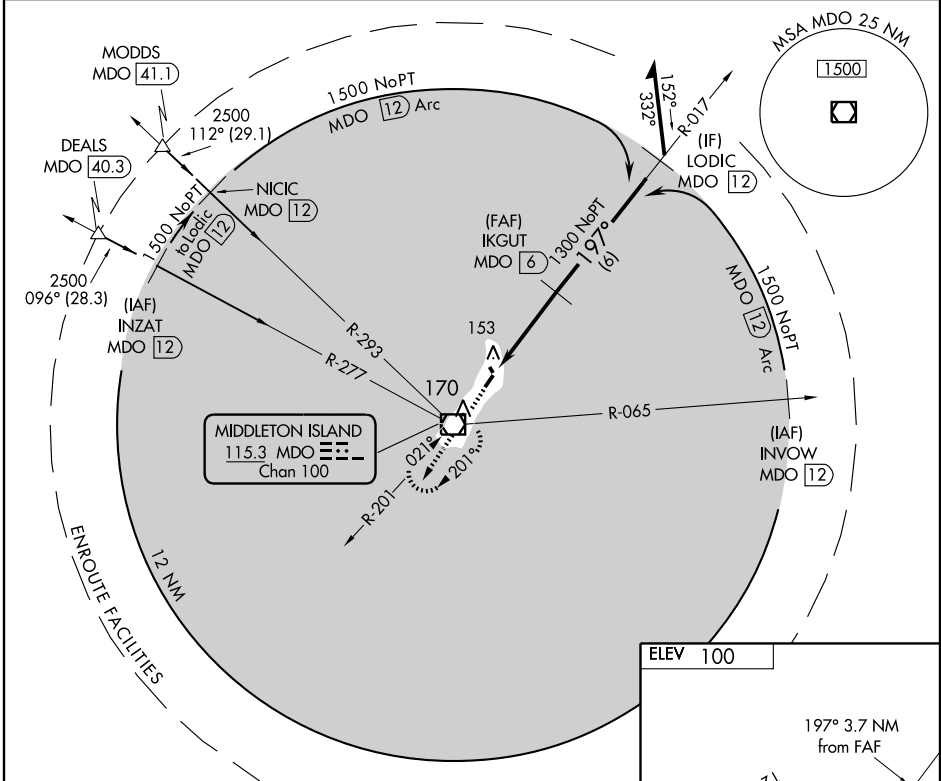
VOR/DME RWY 19

MIDDLETON ISLAND (MDO) (PAMD)

If local altimeter setting not received, procedure NA.
Procedure NA at night.

MISSED APPROACH: Climb to 1500 direct MDO VOR/DME and hold.

AWOS-3 135.725	ANCHORAGE CENTER 133.6 269.4	JUNEAU RADIO 122.05	CTAF 122.9
--------------------------	--	-------------------------------	----------------------



CATEGORY	A	B	C	D
S-19	460-1	360 (400-1)		NA
CIRCLING	600-1	500 (500-1)	600-1½ 500 (500-1½)	NA

MIDDLETON ISLAND, ALASKA
Amdt 5 09127

59° 27' N-146° 18' W

MIDDLETON ISLAND (MDO) (PAMD)
VOR/DME RWY 19

AK, 22 OCT 2009 to 17 DEC 2009

AK, 22 OCT 2009 to 17 DEC 2009