

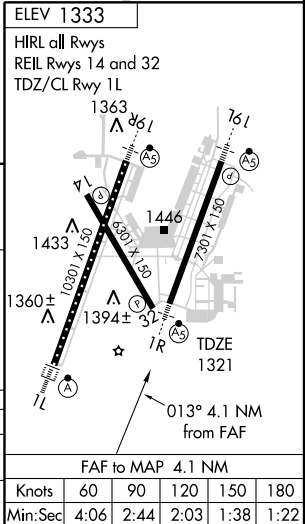
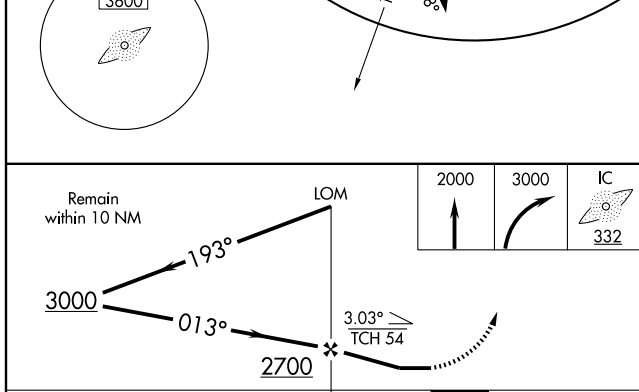
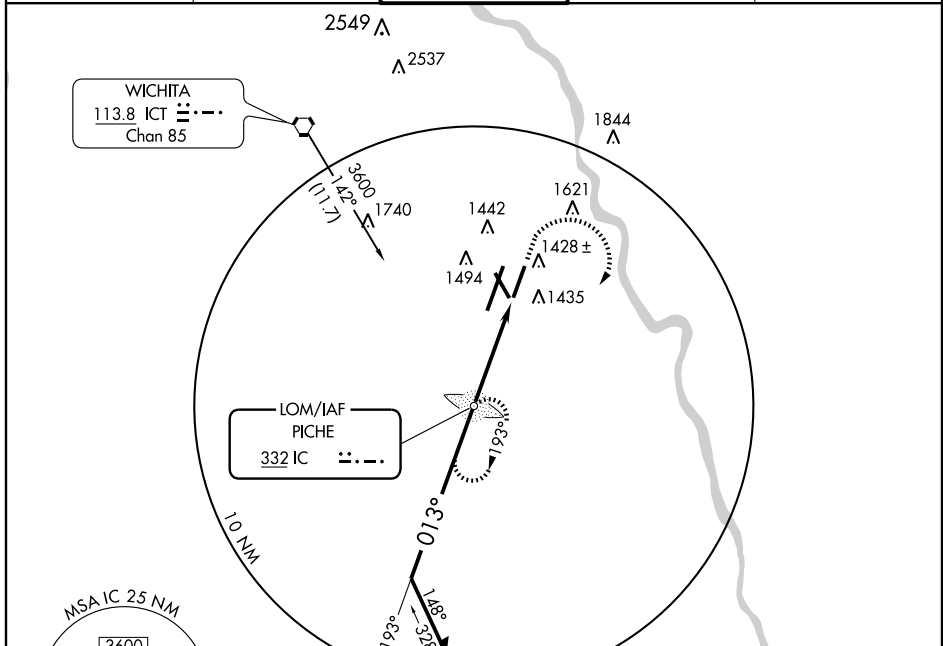
# NDB RWY 1R

WICHITA MID-CONTINENT (ICT)

LOM IC <b>332</b>	APP CRS <b>013°</b>	Rwy Idg <b>7301</b>
		TDZE <b>1321</b>
		Apt Elev <b>1333</b>

Cat C S-1R visibility increased to RVR 5000 for inoperative MALSR.	MALSR	MISSED APPROACH: Climb to 2000 then climbing right turn to 3000 direct PICHE LOM and hold.

ATIS <b>125.15</b>	WICHITA APP CON <b>126.7 353.5</b>	WICHITA TOWER <b>118.2 257.8</b>	GND CON <b>121.9 348.6</b>	CLNC DEL <b>125.7</b>
-----------------------	---------------------------------------	-------------------------------------	-------------------------------	--------------------------



CATEGORY	A	B	C	D
S-1R	1720/40 399 (400- $\frac{3}{4}$ )			1720/50 399 (400-1)
CIRCLING	1800-1 467 (500-1)		1800-1 $\frac{1}{2}$ 467 (500-1 $\frac{1}{2}$ )	1900-2 567 (600-2)

NC-2, 22 OCT 2009 to 19 NOV 2009

NC-2, 22 OCT 2009 to 19 NOV 2009