

NATCHEZ, MISSISSIPPI

AL-967 (FAA)

VOR/DME HEZ 110.0 Chan 37	APP CRS 197°	Rwy Idg TDZE Apt Elev	5000 272 272
-----------------------------------------------	------------------------	-----------------------------	-----------------------------------------

NATCHEZ/
HARDY-ANDERS FIELD NATCHEZ-ADAMS COUNTY (HEZ)
VOR RWY 18

▲ NA Inoperative table does not apply.

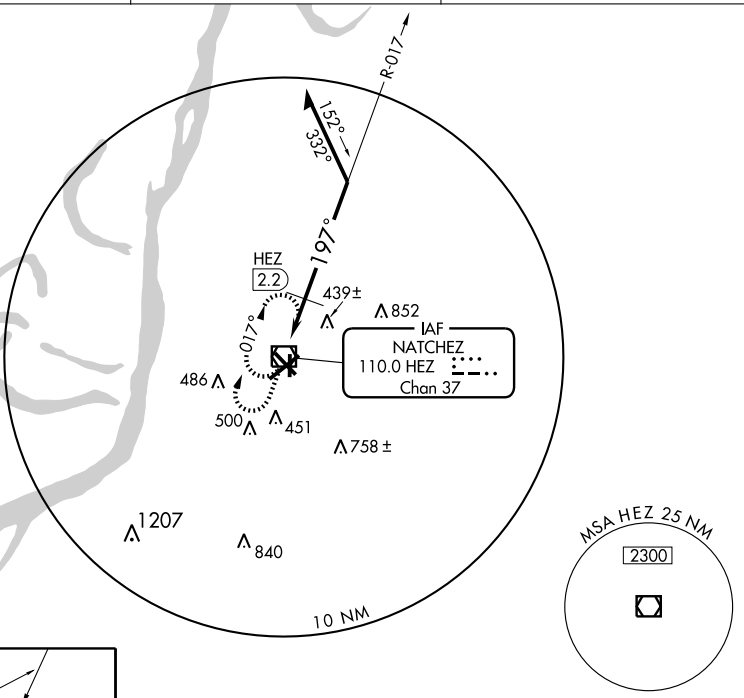
MISSED APPROACH: Climb to 1000 then climbing right turn to 1900 in HEZ VOR/DME holding pattern.

AWOS-3
124.675

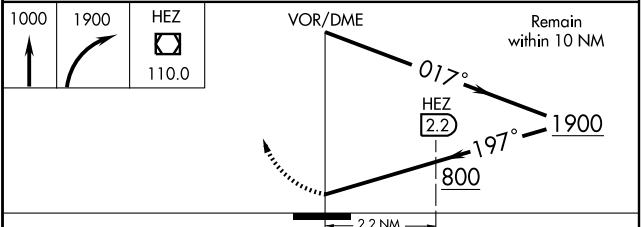
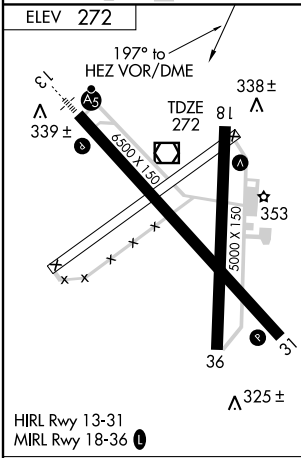
HOUSTON CENTER
120.97 299.6

UNICOM
122.8 (CTAF) **0**

SC-4, 22 OCT 2009 to 19 NOV 2009



SC-4, 22 OCT 2009 to 19 NOV 2009



CATEGORY	A	B	C	D
S-18	800-1	528 (600-1)	800-1½ 528 (600-1½)	800-1¾ 528 (600-1¾)
CIRCLING	800-1	528 (600-1)	800-1½ 528 (600-1½)	840-2 568 (600-2)
DME MINIMUMS				
S-18	700-1	428 (500-1)	700-1¼ 428 (500-1¼)	700-1½ 428 (500-1½)
CIRCLING	720-1 448 (500-1)	740-1 468 (500-1)	780-1½ 508 (600-1½)	840-2 568 (600-2)

NATCHEZ, MISSISSIPPI
Amdt 10B 05244

NATCHEZ/HARDY-ANDERS FIELD NATCHEZ-ADAMS COUNTY (HEZ)
31°37'N · 91°18'W
VOR RWY 18