

RATON, NEW MEXICO

AL-920 (FAA)

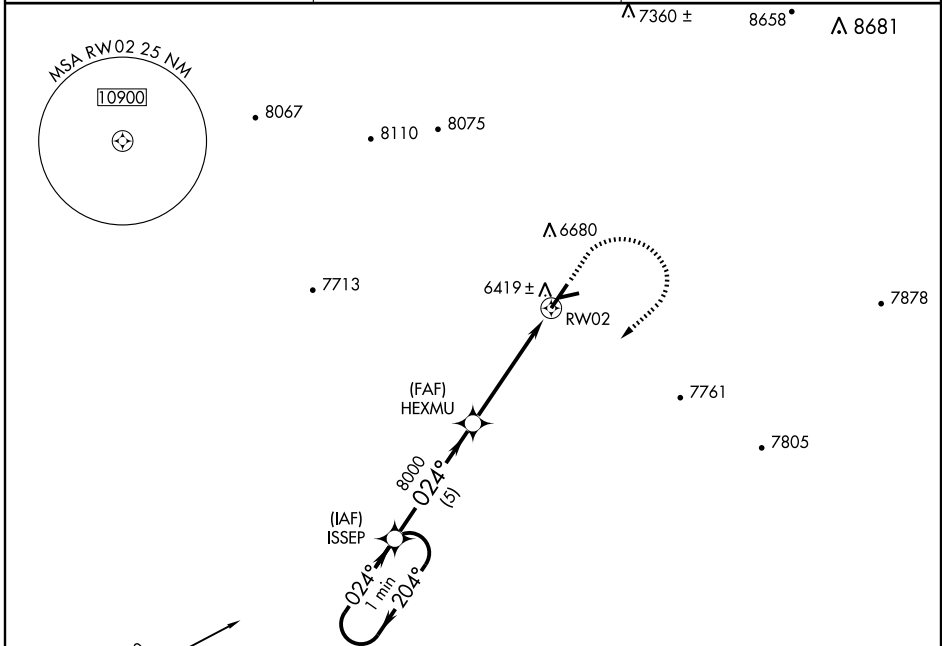
GPS RWY 2

RATON MUNI/CREWS FIELD (RTN)

APP CRS	Rwy Idg	6328
024°	TDZE	6346
	Apt Elev	6352

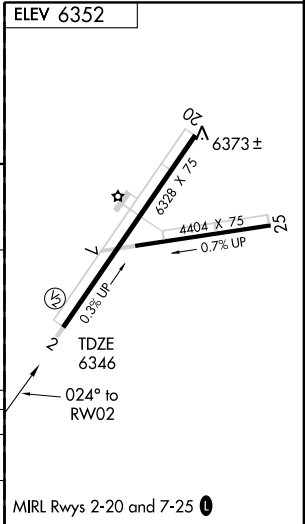
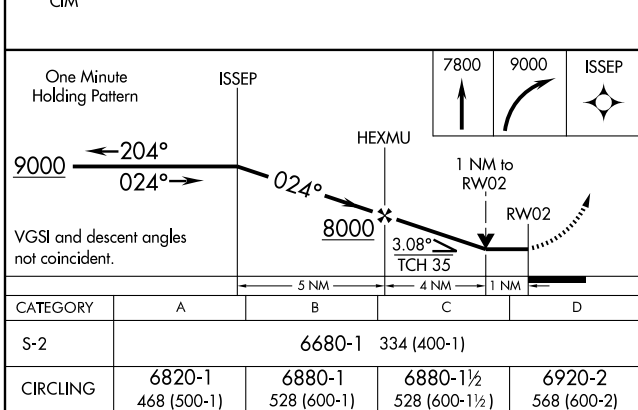
<p>NA Cat. D circling not authorized west of Rwy 2-20.</p>	<p>MISSED APPROACH: Climb to 7800 then climbing right turn to 9000 direct ISSEP WP and hold.</p>
---	--

<p>ASOS 118.375</p>	<p>ALBUQUERQUE CENTER 132.8 346.35</p>	<p>UNICOM 122.8 (CTAF) 0 *</p>
--------------------------------	---	--



SW-1, 22 OCT 2009 to 19 NOV 2009

SW-1, 22 OCT 2009 to 19 NOV 2009



CATEGORY	A	B	C	D
S-2	6680-1 334 (400-1)			
CIRCLING	6820-1 468 (500-1)	6880-1 528 (600-1)	6880-1½ 528 (600-1½)	6920-2 568 (600-2)

MIRL Rwy's 2-20 and 7-25 **0**

RATON, NEW MEXICO
Amdt 1 07074

36°44'N-104°30'W

RATON MUNI/CREWS FIELD (RTN)
GPS RWY 2