

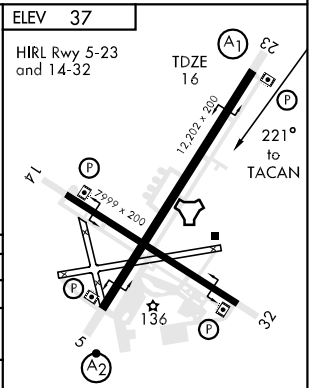
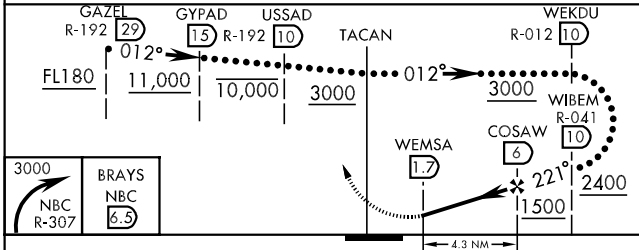
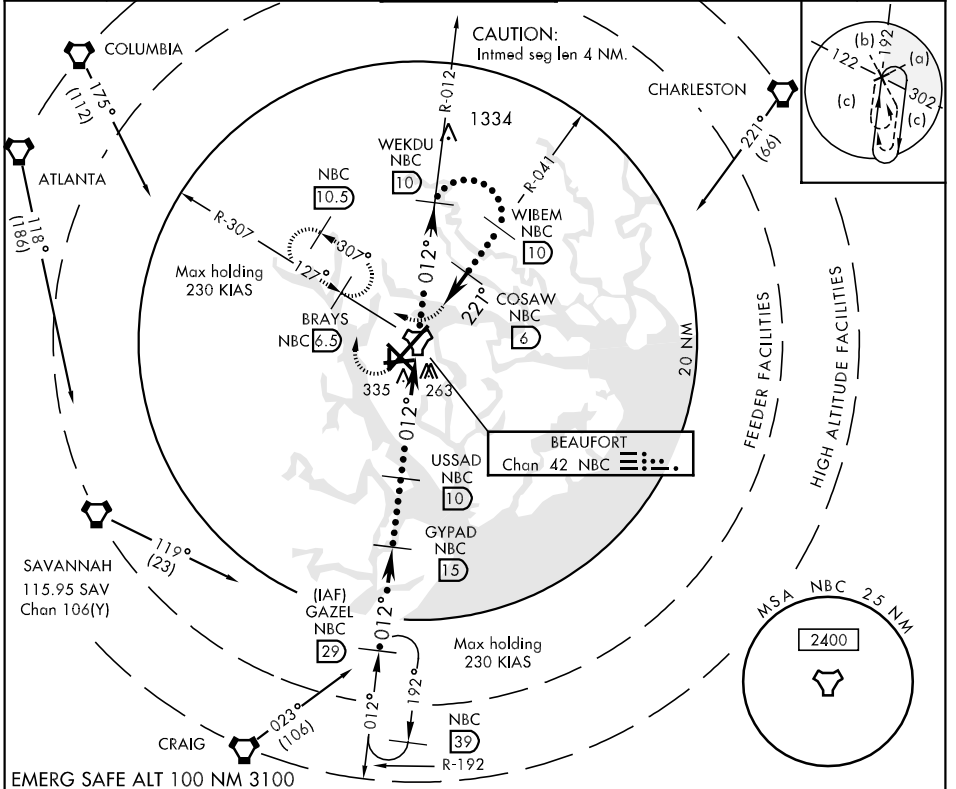
TACAN NBC Chan 42	APCH CRS 221°	Rwy Idg 12,202 TDZE 16 Arprt Elev 37	JAL-91.6 [USN]	BEAUFORT MCAS (MERRITT FLD) (KNBC)
-----------------------------	-------------------------	---	----------------	------------------------------------

* When ALS inop, increase vis (TACAN) CAT C to 1 mile, DE to 1¼ miles; PAR to ½ mile.

ALSF-1 

MISSED APPROACH: Climbing right turn to 3000, join NBC R-307 direct BRAYS and hold.

ATIS ★ 256.15	BEAUFORT APP CON (ABV 3000) 118.45 292.125 (3000 and BLW) 123.7 328.425	BEAUFORT TOWER ★ 119.05 342.875	GND CON 128.15 348.625	CLNC DEL 128.15 348.625	ASR/PAR
-------------------------	---	---	----------------------------------	-----------------------------------	---------



CATEGORY	C	D	E
S-23 *	360-¾	344	(400-¾)
CIRCLING	500-1½ 463 (500-1½)	600-2 563 (600-2)	720-2½ 683 (700-2½)
S-PAR 23 *	116-¼	100 (100-¼)	GS 3.0°

SE-2, 22 OCT 2009 to 19 NOV 2009

SE-2, 22 OCT 2009 to 19 NOV 2009