

VORTAC MAW 111.2 Chan 49	APP CRS 298°	Rwy Idg 4999 TDZE 292 Apt Elev 294
----------------------------------------------	------------------------	---------------------------------------------------------------

VOR RWY 32

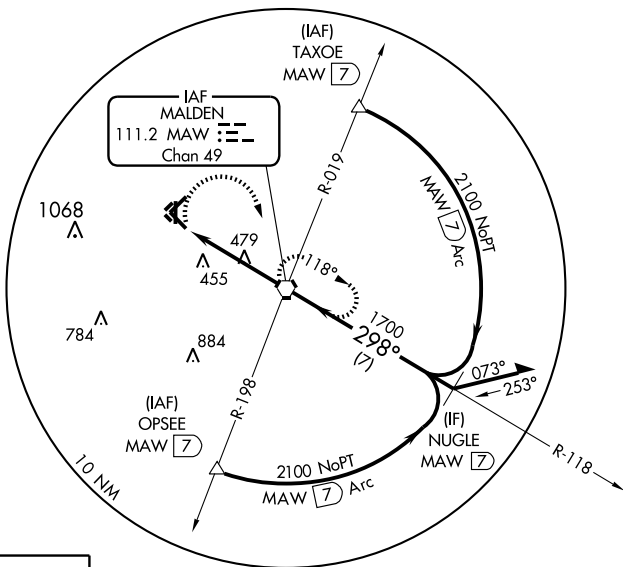
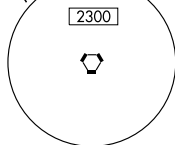
MALDEN RGNL (MAW)

▼ Visibility reduction by helicopters NA.
▲ NA When local altimeter setting not received, use Poplar Bluff altimeter setting and increase all MDA 60 feet and S-32 Cat C visibility 1/4 mile.

MISSED APPROACH: Climbing right turn to 2100 direct MAW VORTAC and hold.

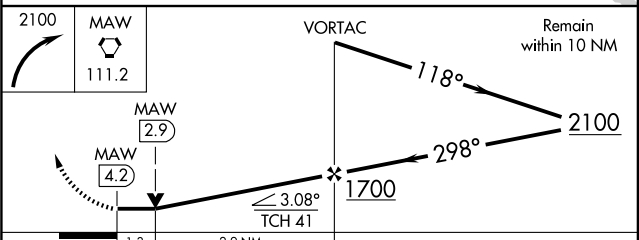
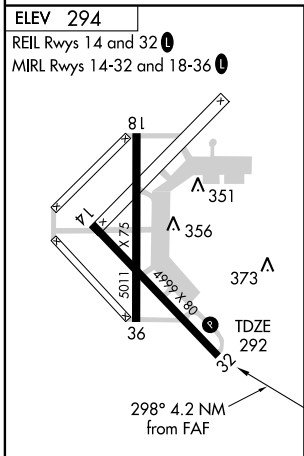
AWOS-3 119.825	MEMPHIS CENTER 133.65 292.15	UNICOM 122.8 (CTAF) 0
--------------------------	----------------------------------------	---------------------------------

MSA MAW 25 NM



NC-3, 22 OCT 2009 to 19 NOV 2009

NC-3, 22 OCT 2009 to 19 NOV 2009



CATEGORY	A	B	C	D
S-31	740-1 448 (500-1)		740-1 1/4 448 (500-1 1/4)	NA
CIRCLING	740-1 446 (500-1)	820-1 526 (600-1)	820-1 1/2 526 (600-1 1/2)	NA

FAF to MAP 4.2 NM

Knots	60	90	120	150	180
Min:Sec	4:12	2:48	2:06	1:41	1:24