

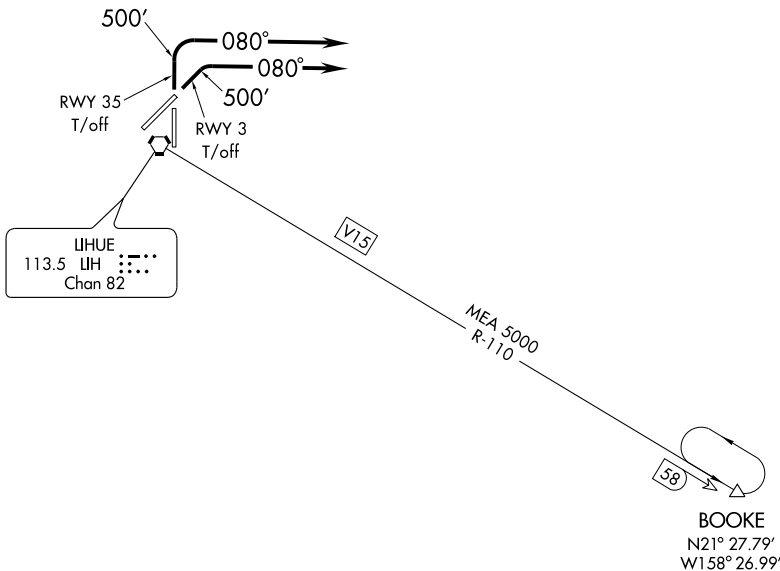
(LIH5.BOOKE) 07130

SL-776 (FAA)

LIHUE (LIH)(PHLI)  
LIHUE, HAWAII

# LIHUE FIVE DEPARTURE

ATIS  
127.2  
GND CON  
121.9  
LIHUE TOWER★  
118.9 (CTAF) 263.1  
HCF APPROACH  
126.5 269.4



LIHUE  
113.5 LIH  
Chan 82

NOTE: DME Required.

NOTE: Honolulu CERAP radio call is "Honolulu Center".

NOTE: Chart not to scale.



## DEPARTURE ROUTE DESCRIPTION

TAKE-OFF RUNWAYS 3 and 35: Climb runway heading to 500, then climbing right turn to heading 080°, expect radar vectors to intercept LIH R-110 to BOOKE DME fix. MEA 5000.

LOST COMMUNICATIONS: If not in contact with Honolulu CERAP one minute after departure, maintain SID heading until 10 NM east of LIH VORTAC, then intercept LIH R-110 to BOOKE DME fix. MEA 5000.

# LIHUE FIVE DEPARTURE

(LIH5.BOOKE) 07130

LIHUE, HAWAII  
LIHUE (LIH)(PHLI)

PAC, 22 OCT 2009 to 17 DEC 2009

PAC, 22 OCT 2009 to 17 DEC 2009