

LOC/DME I-LOZ 110.9 Chan 46	APP CRS 057°	Rwy Idg TDZE Apt Elev	5650 1212 1212
---	------------------------	-----------------------------	---

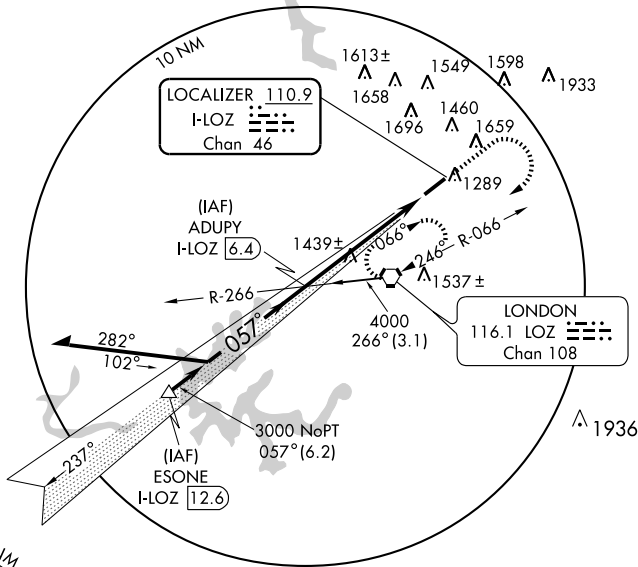
ILS or LOC RWY 6

LONDON-CORBIN AIRPORT-MAGEE FIELD (LOZ)

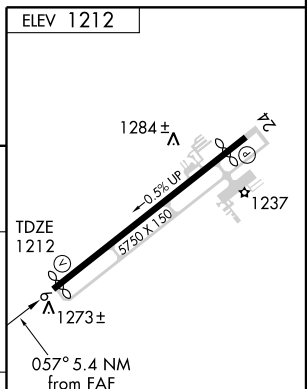
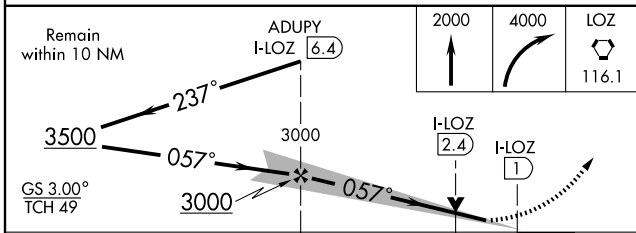
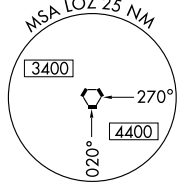
- ▼ VDP NA when using Somerset altimeter setting.
- ▲ If local altimeter setting not received, use Somerset altimeter setting and increase all DAs/MDAs 100 feet.

MISSED APPROACH: Climb to 2000 then climbing right turn to 4000 direct LOZ VORTAC and hold, continue climb-in-hold to 4000.

ASOS 119.075	INDIANAPOLIS CENTER 124.625 371.925	UNICOM 123.0 (CTAF) 1
------------------------	---	--



LONDON
116.1 LOZ Chan 108



CATEGORY	A	B	C	D
S-ILS 6		141 2-3/4	200 (200-3/4)	
S-LOC 6	1700-1	488 (500-1)	1700-1 1/4 488 (500-1 1/4)	1700-1 1/2 488 (500-1 1/2)
CIRCLING	1780-1	568 (600-1)	2040-2 1/2 828 (900-2 1/2)	2040-2 3/4 828 (900-2 3/4)

MIRL Rwy 6-24 **1**
REIL Rws 6 and 24 **1**

FAF to MAP 5.4 NM

Knots	60	90	120	150	180
Min:Seq	5:24	3:36	2:42	2:10	1:48

ILS or LOC RWY 6

SE-1, 22 OCT 2009 to 19 NOV 2009

SE-1, 22 OCT 2009 to 19 NOV 2009