

DELAND, FLORIDA

AL-483 (FAA)

VOR RWY 23

DELAND MUNI-SIDNEY H. TAYLOR FIELD (D/D)

VORTAC OMN 112.6 Chan 73	APP CRS 212°	Rwy Idg TDZE Apt Elev	4301 78 80
--	------------------------	-----------------------------	---------------------------------------

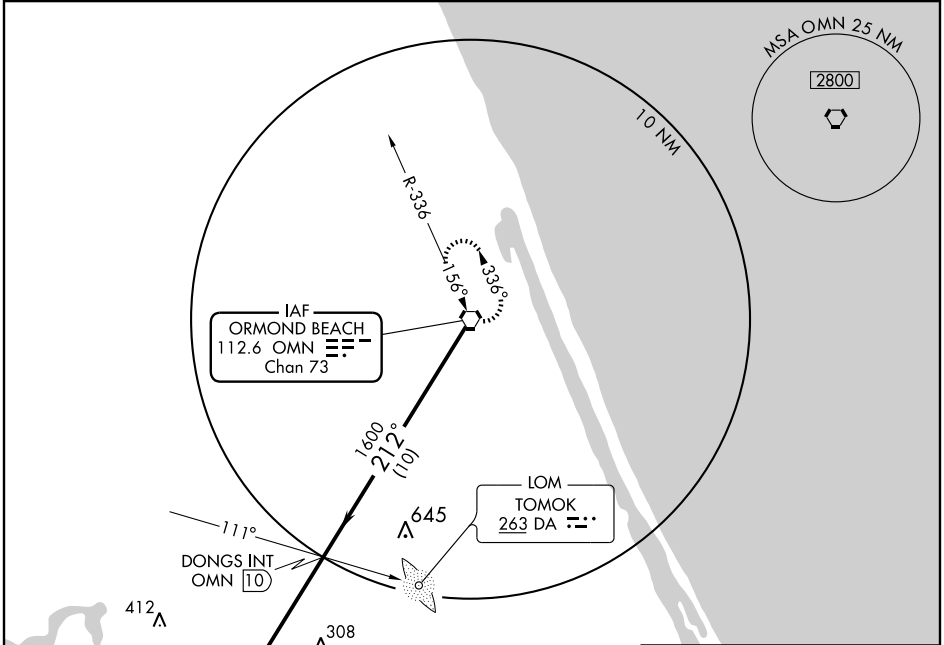
▽ DME or ADF REQUIRED.
▲ NA If local altimeter setting not received, use Daytona Beach Intl altimeter setting and increase all MDAs 40 feet.
ASR

MISSED APPROACH: Climbing right turn to 2000 direct OMN VORTAC and hold.

AWOS-3
119.575

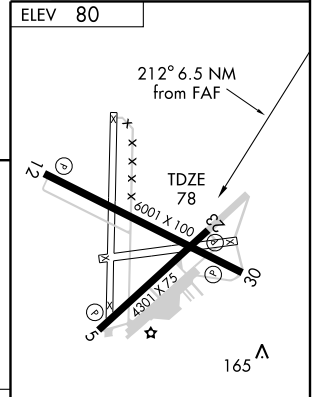
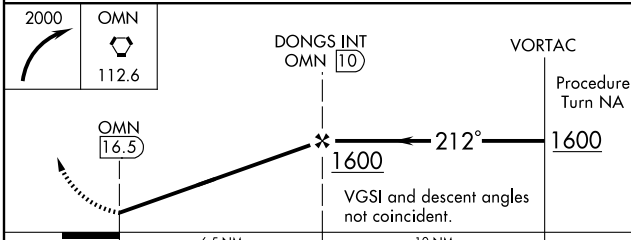
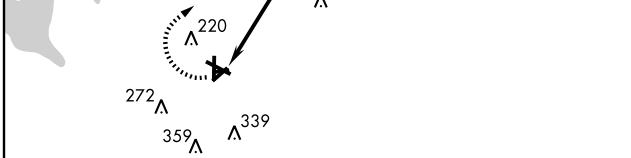
DAYTONA APP CON
125.35 322.3

UNICOM
123.075 (CTAF) 0



SE-3, 22 OCT 2009 to 19 NOV 2009

SE-3, 22 OCT 2009 to 19 NOV 2009



CATEGORY	A	B	C	D
S-23	580-1 502 (500-1)		580-1½ 502 (500-1½)	
CIRCLING	580-1 500 (500-1)		580-1½ 560 (600-2)	640-2

REIL Rwy 30				
MIRL Rwy 5-23 and 12-30 0				
FAF to MAP 6.5 NM				
Knots	60	90	120	150 180
Min:Sec	6:30	4:20	3:15	2:36 2:10

DELAND, FLORIDA
Amdt 3 08213

DELAND MUNI-SIDNEY H. TAYLOR FIELD (D/D)
29° 04'N-81° 17'W

VOR RWY 23