

MARIANNA, FLORIDA

AL-248 (FAA)

VORTAC MAI 114.0 Chan 87	APP CRS 316°	Rwy ldg TDZE Apt Elev N/A N/A 110
--	------------------------	---

VOR or GPS-A

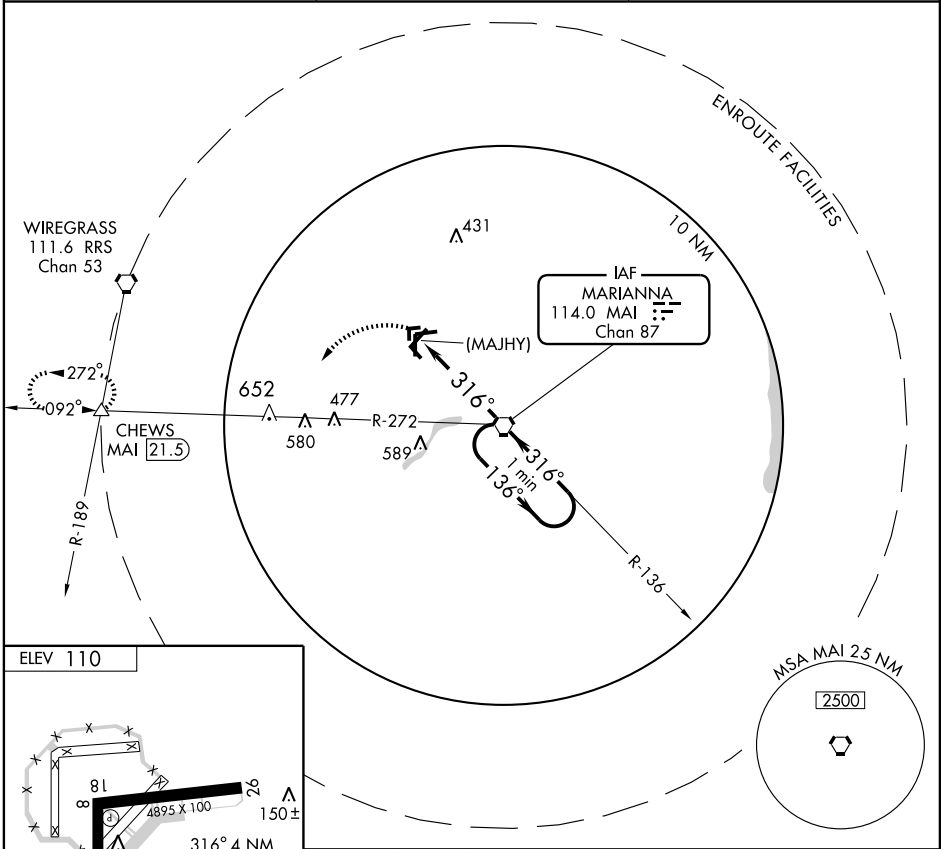
MARIANNA MUNI (MAI)

MISSED APPROACH: Climbing left turn to 2000 via heading 230° and MAI R-272 to CHEWS Int and hold.

ASOS
133.525

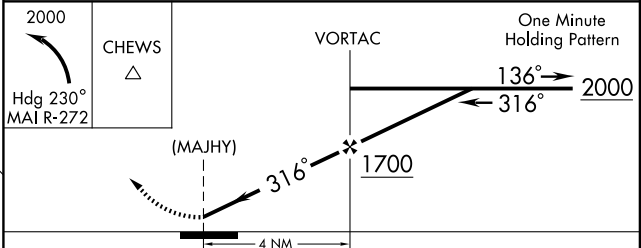
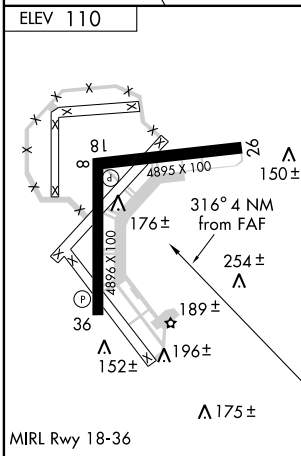
CAIRNS APP CON ★
133.75 270.35

UNICOM
123.0 (CTAF)



SE-3, 22 OCT 2009 to 19 NOV 2009

SE-3, 22 OCT 2009 to 19 NOV 2009



FAF to MAP 4 NM					
Knots	60	90	120	150	180
Min:Sec	4:00	2:40	2:00	1:36	1:20

CATEGORY	A	B	C	D
CIRCLING	580-1	470 (500-1)	620-1½ 510 (600-1½)	660-2 550 (600-2)

MARIANNA, FLORIDA
Amdt 11 09239

30° 50'N - 85° 11'W

MARIANNA MUNI (MAI)

VOR or GPS-A