

FALLON, NEVADA

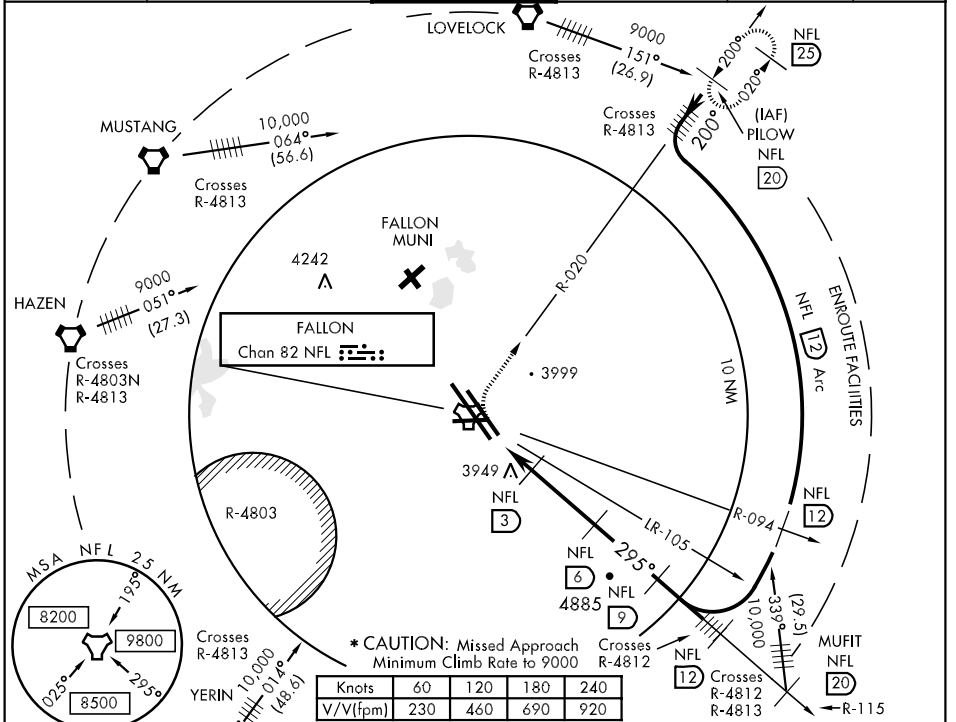
TACAN Y RWY 31L/R

TACAN Chan 82	NFL 295°	APCH CRS 295°	Rwy Idg 31L 14,005 31R 11,079	TDZE 31L 3926 31R 3928	Arpt Elev 3934
-------------------------	--------------------	-------------------------	---	--	--------------------------

AL-143 [USN] FALLON NAS (VAN VOORHIS FLD) (KNFL)

* MISSED APPROACH: Climbing right turn to 9000 on NFL TACAN R-020 to 20 DME (PILOW)

ATIS ★ 370.925	NAVY FALLON APP CON 120.85 360.2	NAVY FALLON TOWER ★ 119.25 340.2	GND CON 251.15	CLNC DEL 353.55	ASR/PAR
--------------------------	--	--	--------------------------	---------------------------	---------



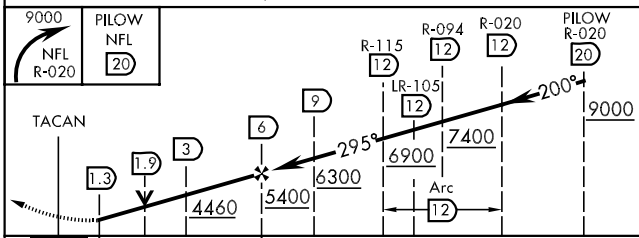
SW-4, 22 OCT 2009 to 19 NOV 2009

SW-4, 22 OCT 2009 to 19 NOV 2009

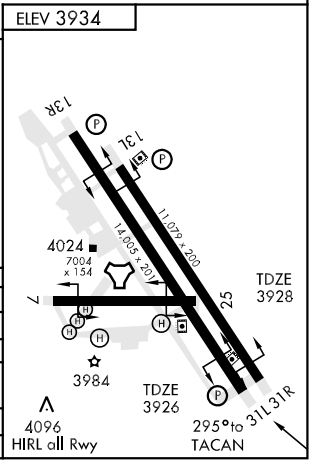
* CAUTION: Missed Approach Minimum Climb Rate to 9000

Knots	60	120	180	240
V/V(fpm)	230	460	690	920

EMERG SAFE ALT 100 NM 15,600 ATC Minimum Climb Rate



CATEGORY	A	B	C	D
S-31L	4200-1	274	(300-1)	
S-31R	4200-1	272	(300-1)	
CIRCLING	4400-1 466 (500-1)		4400-1½ 466 (500-1½)	4520-2 586 (600-2)
S-PAR 31L	4126-¾	200	(200-¾)	GS 3.5°
S-PAR 31R	4128-¾	200	(200-¾)	GS 3.5°



FALLON, NEVADA 09267

39°25'N-118°42'W FALLON NAS (VAN VOORHIS FLD) (KNFL)

TACAN Y RWY 31L/R